

Makita[®]

Rotary Hammer

Instruction Manual

Bohrhammer

Betriebsanleitung

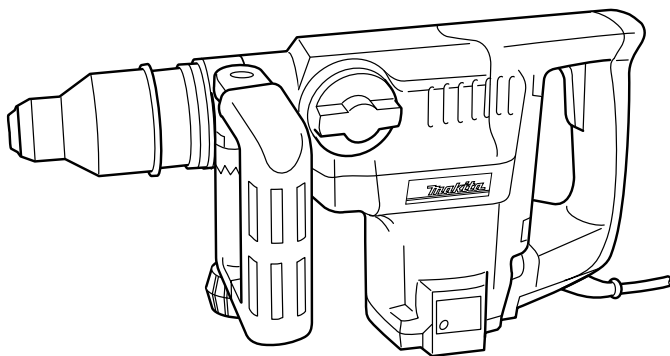
Młot obrotowy

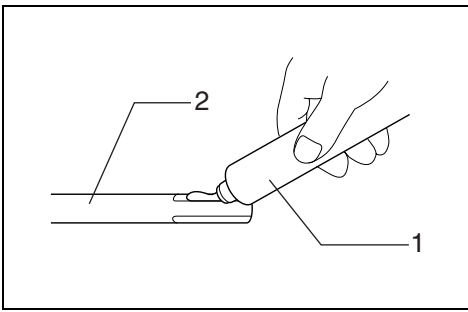
Instrukcja obsługi

Бурильный молоток для вращательного бурения

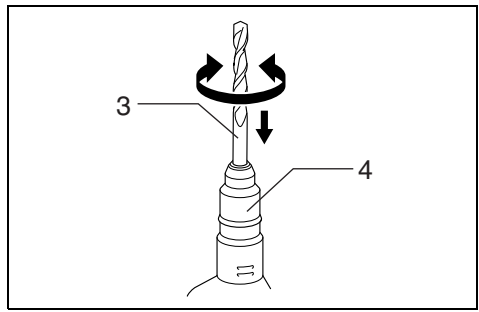
Инструкция по эксплуатации

HR4500C

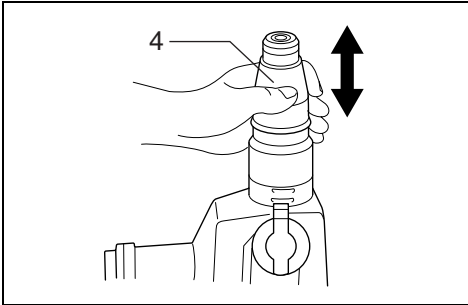




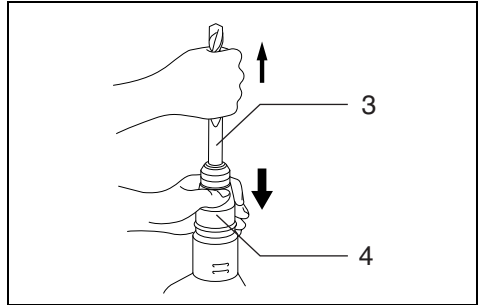
1



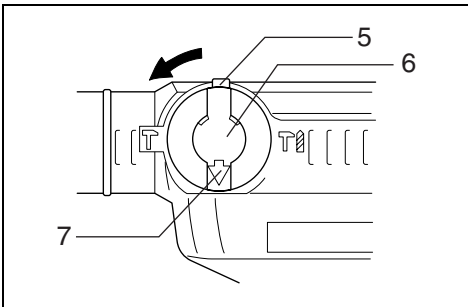
2



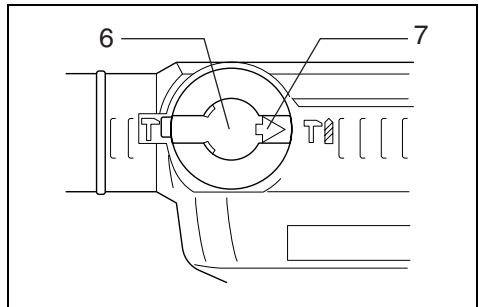
3



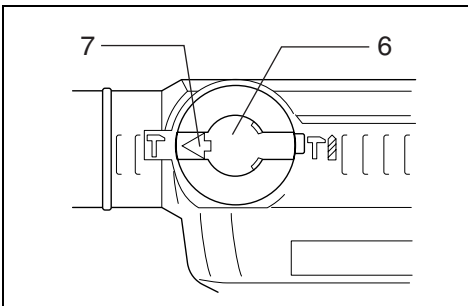
4



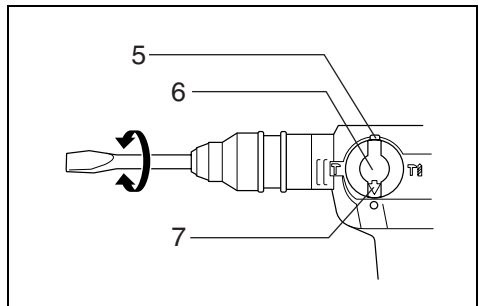
5



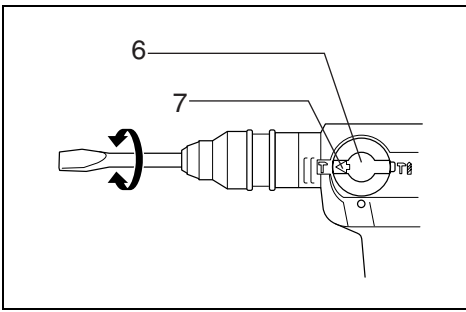
6



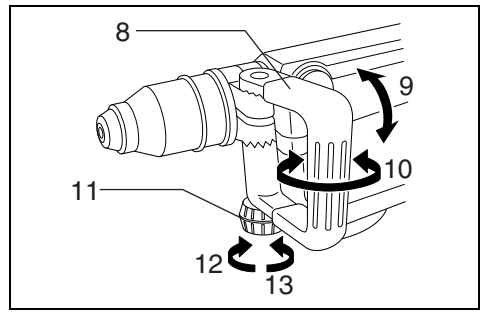
7



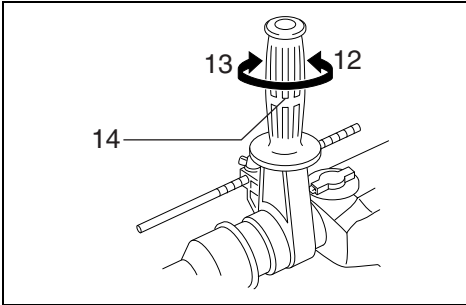
8



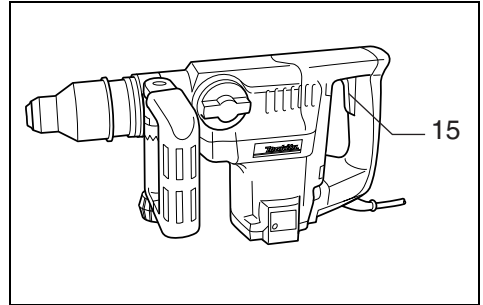
9



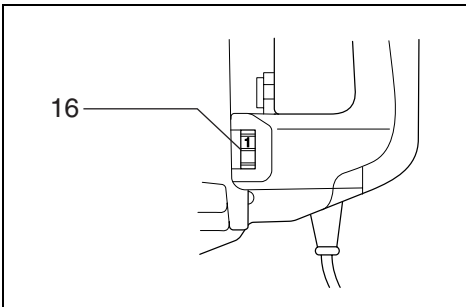
10



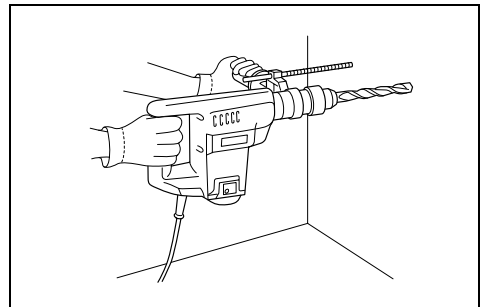
11



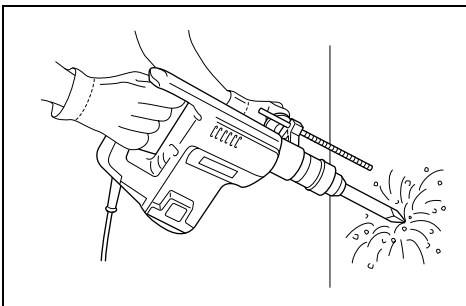
12



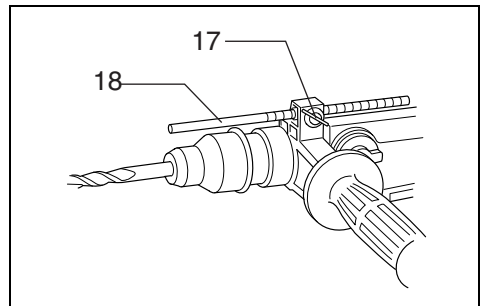
13



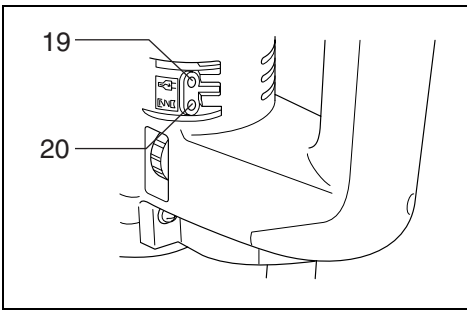
14



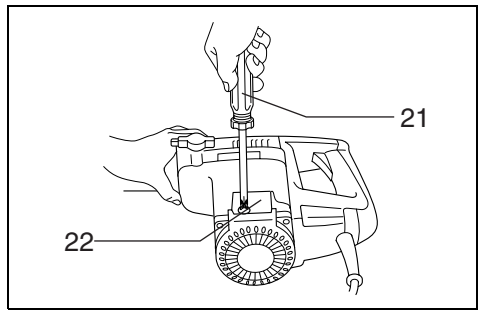
15



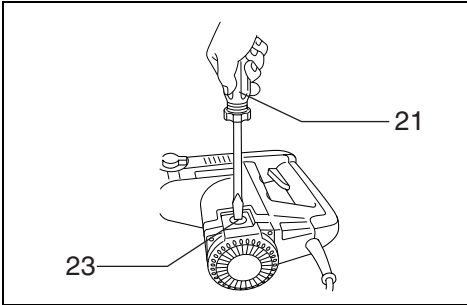
16



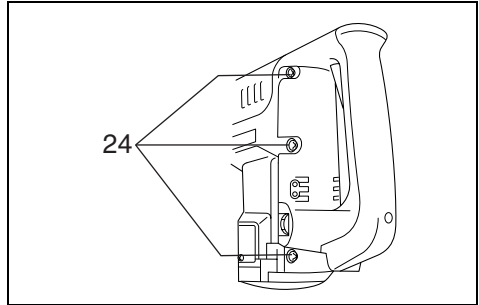
17



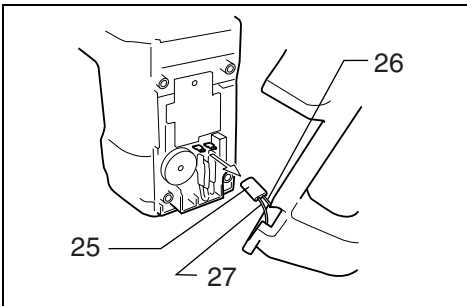
18



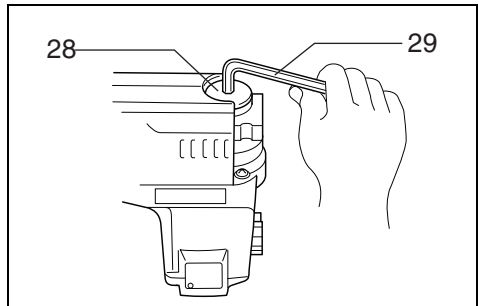
19



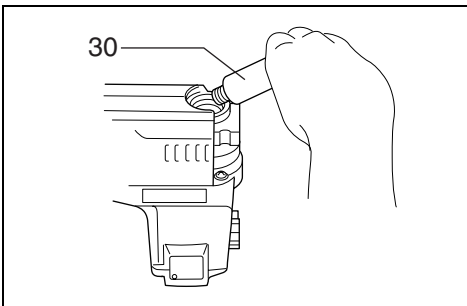
20



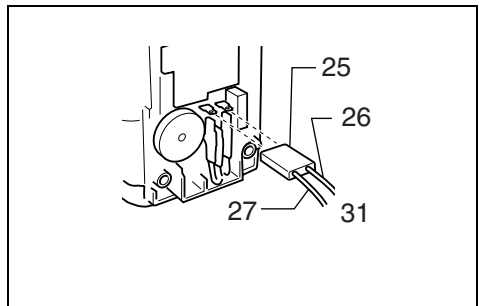
21



22



23



24

Symbols

The followings show the symbols used for the tool. Be sure that you understand their meaning before use.

Symbole

Die folgenden Symbole werden für die Maschine verwendet. Machen Sie sich vor der Benutzung unbedingt mit ihrer Bedeutung vertraut.

Symbole

Poniższe symbole używane są do opisu urządzenia. Przed użyciem należy upewnić się, że rozumie się ich znaczenie.

Символы

Следующие объяснения показывают символы, используемые для инструмента. Убедитесь перед использованием, что Вы понимаете их значение.



- Read instruction manual.
- Bitte Bedienungsanleitung lesen.
- Przeczytaj instrukcję obsługi.
- Прочитайте инструкцию по эксплуатации.



- DOUBLE INSULATION
- DOPPELT SCHUTZISOLIERT
- PODWÓJNA IZOLACJA
- ДВОЙНАЯ ИЗОЛЯЦИЯ



- Only for EU countries
Do not dispose of electric equipment together with household waste material!
In observance of European Directive 2002/96/EC on waste electrical and electronic equipment and its implementation in accordance with national law, electric equipment that have reached the end of their life must be collected separately and returned to an environmentally compatible recycling facility.

- Nur für EU-Länder
Werfen Sie Elektrowerkzeuge nicht in den Hausmüll!
Gemäß Europäischer Richtlinie 2002/96/EG über Elektro- und Elektronik-Altgeräte und Umsetzung in nationales Recht müssen verbrauchte Elektrowerkzeuge getrennt gesammelt und einer umweltgerechten Wiederverwertung zugeführt werden.

- Dotyczy tylko państw UE
Nie wyrzucaj urządzeń elektrycznych wraz z odpadami z gospodarstwa domowego!
Zgodnie z Europejską Dyrektywą 2002/96/WE w sprawie zużytego sprzętu elektrotechnicznego i elektronicznego oraz dostosowaniem jej do prawa krajowego, zużyte urządzenia elektryczne należy posegregować i zutylizować w sposób przyjazny dla środowiska.

- Только для стран ЕС
Не выкидывайте электрическое оборудование вместе с бытовым мусором!
В соответствии с европейской директивой 2002/96/ЕС об утилизации старого электрического и электронного оборудования и её применения в соответствии с местными законами электрическое оборудование, бывшее в эксплуатации, должно утилизироваться отдельно безопасным для окружающей среды способом.

Explanation of general view

1 Bit grease	10 Secures at eight different positions back and forth on the horizontal	20 Service indicator lamp (red)
2 Bit shank		21 Screwdriver
3 Bit		22 Brush holder cover
4 Chuck cover	11 Clamp nut	23 Brush holder cap
5 Lock button	12 Loosen	24 Screws
6 Change lever	13 Tighten	25 Connector
7 Pointer	14 Side grip	26 Black
8 Side handle	15 Switch trigger	27 White
9 Can be swung 360° on the vertical and secured at any desired position	16 Adjusting dial	28 Crank cap
	17 Clamp screw	29 Hex wrench
	18 Depth gauge	30 Hammer grease
	19 Power-ON indicator lamp (green)	31 To handle

SPECIFICATIONS

Model	HR4500C
Capacities	
Tungsten-carbide tipped bit	45 mm
Core bit	125 mm
No load speed (min ⁻¹)	120 – 240
Blows per minute	1,250 – 2,550
Overall length	488 mm
Net weight	7.8 kg

- Due to our continuing program of research and development, the specifications herein are subject to change without notice.
- Note: Specifications may differ from country to country.

Power supply

The tool should be connected only to a power supply of the same voltage as indicated on the nameplate, and can only be operated on single-phase AC supply. They are double-insulated in accordance with European Standard and can, therefore, also be used from sockets without earth wire.

GENERAL SAFETY RULES

GEA001-3

WARNING! Read all instructions. Failure to follow all instructions listed below may result in electric shock, fire and/or serious injury. The term "power tool" in all of the warnings listed below refers to your mains-operated (corded) power tool or battery-operated (cordless) power tool.

SAVE THESE INSTRUCTIONS.

Work area safety

1. **Keep work area clean and well lit.** Cluttered and dark areas invite accidents.
2. **Do not operate power tools in explosive atmospheres, such as in the presence of flammable liquids, gases or dust.** Power tools create sparks which may ignite the dust or fumes.
3. **Keep children and bystanders away while operating a power tool.** Distractions can cause you to lose control.

Electrical safety

4. **Power tool plugs must match the outlet. Never modify the plug in any way. Do not use any adapter plugs with earthed (grounded) power tools.** Unmodified plugs and matching outlets will reduce risk of electric shock.
5. **Avoid body contact with earthed or grounded surfaces such as pipes, radiators, ranges and refrigerators.** There is an increased risk of electric shock if your body is earthed or grounded.
6. **Do not expose power tools to rain or wet conditions.** Water entering a power tool will increase the risk of electric shock.
7. **Do not abuse the cord. Never use the cord for carrying, pulling or unplugging the power tool. Keep cord away from heat, oil, sharp edges or moving parts.** Damaged or entangled cords increase the risk of electric shock.
8. **When operating a power tool outdoors, use an extension cord suitable for outdoor use.** Use of a cord suitable for outdoor use reduces the risk of electric shock.

Personal safety

9. **Stay alert, watch what you are doing and use common sense when operating a power tool. Do not use a power tool while you are tired or under the influence of drugs, alcohol or medication.** A moment of inattention while operating power tools may result in serious personal injury.
10. **Use safety equipment. Always wear eye protection.** Safety equipment such as dust mask, non-skid safety shoes, hard hat, or hearing protection used for appropriate conditions will reduce personal injuries.
11. **Avoid accidental starting. Ensure the switch is in the off-position before plugging in.** Carrying power tools with your finger on the switch or plugging in power tools that have the switch on invites accidents.
12. **Remove any adjusting key or wrench before turning the power tool on.** A wrench or a key left attached to a rotating part of the power tool may result in personal injury.
13. **Do not overreach. Keep proper footing and balance at all times.** This enables better control of the power tool in unexpected situations.

14. **Dress properly. Do not wear loose clothing or jewellery. Keep your hair, clothing, and gloves away from moving parts.** Loose clothes, jewellery or long hair can be caught in moving parts.
15. **If devices are provided for the connection of dust extraction and collection facilities, ensure these are connected and properly used.** Use of these devices can reduce dust-related hazards.

Power tool use and care

16. **Do not force the power tool. Use the correct power tool for your application.** The correct power tool will do the job better and safer at the rate for which it was designed.
 17. **Do not use the power tool if the switch does not turn it on and off.** Any power tool that cannot be controlled with the switch is dangerous and must be repaired.
 18. **Disconnect the plug from the power source and/ or the battery pack from the power tool before making any adjustments, changing accessories, or storing power tools.** Such preventive safety measures reduce the risk of starting the power tool accidentally.
 19. **Store idle power tools out of the reach of children and do not allow persons unfamiliar with the power tool or these instructions to operate the power tool.** Power tools are dangerous in the hands of untrained users.
 20. **Maintain power tools. Check for misalignment or binding of moving parts, breakage of parts and any other condition that may affect the power tools operation. If damaged, have the power tool repaired before use.** Many accidents are caused by poorly maintained power tools.
 21. **Keep cutting tools sharp and clean.** Properly maintained cutting tools with sharp cutting edges are less likely to bind and are easier to control.
 22. **Use the power tool, accessories and tool bits etc. in accordance with these instructions and in the manner intended for the particular type of power tool, taking into account the working conditions and the work to be performed.** Use of the power tool for operations different from those intended could result in a hazardous situation.
3. **Hold power tools by insulated gripping surfaces when performing an operation where the cutting tool may contact hidden wiring or its own cord.** Contact with a "live" wire will make exposed metal parts of the tool "live" and shock the operator.
 4. **Wear a hard hat (safety helmet), safety glasses and/or face shield. Ordinary eye or sun glasses are NOT safety glasses. It is also highly recommended that you wear a dust mask and thickly padded gloves.**
 5. **Be sure the bit is secured in place before operation.**
 6. **Under normal operation, the tool is designed to produce vibration. The screws can come loose easily, causing a breakdown or accident. Check tightness of screws carefully before operation.**
 7. **In cold weather or when the tool has not been used for a long time, let the tool warm up for a while by operating it under no load. This will loosen up the lubrication. Without proper warm-up, hammering operation is difficult.**
 8. **Always be sure you have a firm footing. Be sure no one is below when using the tool in high locations.**
 9. **Hold the tool firmly with both hands.**
 10. **Keep hands away from moving parts.**
 11. **Do not leave the tool running. Operate the tool only when hand-held.**
 12. **Do not point the tool at any one in the area when operating. The bit could fly out and injure someone seriously.**
 13. **Do not touch the bit or parts close to the bit immediately after operation; they may be extremely hot and could burn your skin.**
 14. **Some material contains chemicals which may be toxic. Take caution to prevent dust inhalation and skin contact. Follow material supplier safety data.**

SAVE THESE INSTRUCTIONS.

WARNING:

MISUSE or failure to follow the safety rules stated in this instruction manual may cause serious personal injury.

Service

23. **Have your power tool serviced by a qualified repair person using only identical replacement parts.** This will ensure that the safety of the power tool is maintained.
24. **Follow instruction for lubricating and changing accessories.**
25. **Keep handles dry, clean and free from oil and grease.**

SPECIFIC SAFETY RULES

GEB007-2

DO NOT let comfort or familiarity with product (gained from repeated use) replace strict adherence to rotary hammer safety rules. If you use this tool unsafely or incorrectly, you can suffer serious personal injury.

1. **Wear ear protectors.** Exposure to noise can cause hearing loss.
2. **Use auxiliary handles supplied with the tool.** Loss of control can cause personal injury.

OPERATING INSTRUCTIONS

Installing or removing bit

CAUTION:

Always be sure that the tool is switched off and unplugged before installing or removing the bit.

Clean the bit shank and apply the bit grease provided to it before installing the bit. **(Fig. 1)**

Insert the bit into the tool. Turn the bit and push it in until it engages. **(Fig. 2)**


If the bit cannot be pushed in, remove the bit. Pull the chuck cover down a couple of times. Then insert the bit again. Turn the bit and push it in until it engages. **(Fig. 3)**

After installing, always make sure that the bit is securely held in place by trying to pull it out.


To remove the bit, pull the chuck cover down all the way and pull the bit out. **(Fig. 4)**

Selecting action mode

Rotation with hammering (Fig. 5 & 6)

For drilling in concrete, masonry, etc., depress the lock button and rotate the change lever so that the pointer points to the  symbol. Use a tungsten-carbide tipped bit.

Hammering only (Fig. 5 & 7)

For chipping, scaling or demolition operations, depress the lock button and rotate the change lever so that the pointer points to the  symbol. Use a bull point, cold chisel, scaling chisel, etc.

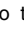
CAUTION:


- Do not rotate the change lever when the tool is running under load. The tool will be damaged.
- To avoid rapid wear on the mode change mechanism, be sure that the change lever is always positively located in one of the two action mode positions.

Bit angle (when chipping, scaling or demolishing)

CAUTION:

Always be sure that the tool is switched off and unplugged before changing the bit angle.

The bit can be secured at 16 different angles. To change the bit angle, depress the lock button and rotate the change lever so that the pointer points to the  symbol. Turn the bit to the desired angle. (Fig. 8)

Depress the lock button and rotate the change lever so that the pointer points to the  symbol. (Fig. 9)

Then make sure that the bit is securely held in place by turning it slightly.

Side handle (Fig. 10)

CAUTION:

Use the side handle only when chipping, scaling or demolishing. Do not use it when drilling in concrete, masonry, etc. The tool cannot be held properly with this side handle when drilling.

The side handle can be swung 360° on the vertical and secured at any desired position. It also secures at eight different positions back and forth on the horizontal. Just loosen the clamp nut to swing the side handle to a desired position. Then tighten the clamp nut securely.

Side grip (Fig. 11)

CAUTION:

Always use the side grip to ensure operating safety when drilling in concrete, masonry, etc.

The side grip swings around to either side, allowing easy handling of the tool in any position. Loosen the side grip by turning it counterclockwise, swing it to the desired position and then tighten it by turning clockwise.

Switch action (Fig. 12)

CAUTION:

Before plugging in the tool, always check to see that the switch trigger actuates properly and returns to the "OFF" position when released.

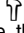
To start the tool, simply pull the trigger. Release the trigger to stop.

Speed change (Fig. 13)

The revolutions and blows per minute can be adjusted just by turning the adjusting dial. The dial is marked 1 (lowest speed) to 6 (full speed). Refer to the table below for the relationship between the number settings on the adjusting dial and the revolutions/blows per minute.

Number on adjusting dial	Revolutions per minute	Blows per minute
6	240	2,550
5	230	2,450
4	200	2,100
3	160	1,700
2	130	1,300
1	120	1,250

Hammer drilling operation (Fig. 14)

Set the change lever to the  symbol. Position the bit at the location for the hole, then pull the trigger. Do not force the tool. Light pressure gives best results. Keep the tool in position and prevent it from slipping away from the hole.

Do not apply more pressure when the hole becomes clogged with chips or particles. Instead, run the tool at an idle, then remove from the hole. By repeating this several times, the hole will be cleaned out.

CAUTION:

When the bit begins to break through concrete or if the bit strikes reinforcing rods embedded in concrete, the tool may react dangerously. Maintain good balance and safe footing while holding the tool firmly with both hands to prevent dangerous reaction.

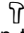
Torque limiter

The torque limiter will actuate when a certain torque level is reached. The motor will disengage from the output shaft. When this happens, the bit will stop turning.

CAUTION:

As soon as the torque limiter actuates, switch off the tool immediately. This will help prevent premature wear of the tool.

Chipping/Scaling/Demolition (Fig. 15)

Set the change lever to the  symbol. Hold the tool firmly with both hands. Turn the tool on and apply slight pressure on the tool so that the tool will not bounce around, uncontrolled. Pressing very hard on the tool will not increase the efficiency.

Depth gauge (Fig. 16)

The depth gauge is convenient for drilling holes of uniform depth. Loosen the clamp screw and adjust the depth gauge to the desired depth. After adjusting, tighten the clamp screw firmly.

NOTE:

The depth gauge cannot be used at the position where the depth gauge strikes against the gear housing/motor housing.

Indicator lamp (Fig. 17)

The green power-ON indicator lamp lights up when the tool is switched ON. If the indicator lamp is lit but the tool does not start, the carbon brushes may be worn out, or the electric circuit or the motor may be defective. If the indicator lamp does not light up and the tool does not start, the ON/OFF switch or the mains cord may be defective.

The red service indicator lamp lights up when the carbon brushes are nearly worn out to indicate that the tool needs servicing. After approx. 8 hours of use, the motor will automatically be shut off.

MAINTENANCE

CAUTION:

Always be sure that the tool is switched off and unplugged before carrying out any work on the tool.

Replacement of carbon brushes (Fig. 18 & 19)

Whenever carbon brushes must be replaced, they cut out the tool automatically. When this occurs, loosen the screws which secure the brush holder cover. Remove the brush holder cover. Then replace both carbon brushes at the same time. Use only identical carbon brushes.

Lubrication

This tool requires no hourly or daily lubrication because it has a grease-packed lubrication system. Lubricate the tool every time the carbon brushes are replaced.

Run the tool for several minutes to warm it up. Switch off and unplug the tool.

Loosen the six screws and remove the handle. Note that the top screws are different from other screws.

(Fig. 20)

Disconnect the connector by pulling it. (Fig. 21)

Remove the crank cap using a hex wrench. (Fig. 22)

Rest the tool on the table with the bit end pointing upwards. This will allow the old grease to collect inside the crank housing. Wipe out the old grease inside and replace with a fresh grease (60 g). Use only Makita genuine hammer grease (optional accessory). Filling with more than specified amount of grease (approx. 60 g) can cause faulty hammering action or tool failure. Fill only with the specified amount of grease. Reinstall the crank cap and tighten with the hex wrench. (Fig. 23)

Connect the connector and reinstall the handle.

(Fig. 24)

CAUTION:

- Be careful not to damage the terminals or lead wires especially when wiping out the old grease or installing the handle.
- Do not tighten the crank cap excessively. It is made of resin and is subject to breakage.

To maintain product safety and reliability, repairs, maintenance or adjustment should be carried out by a Makita Authorized Service Center.

ACCESSORIES

CAUTION:

These accessories or attachments are recommended for use with your Makita tool specified in this manual. The use of any other accessories or attachments might present a risk of injury to persons. Only use accessory or attachment for its stated purpose.

If you need any assistance for more details regarding these accessories, ask your local Makita service center.

- SDS-MAX tungsten-carbide tipped bit
- SDS-MAX bull point
- SDS-MAX cold chisel
- SDS-MAX scaling chisel
- SDS-MAX tile chisel
- SDS-MAX clay spade
- Depth gauge
- Side grip
- Bit grease (100 g)
- Hammer grease (30 g)
- Carrying case
- Safety goggle

For European countries only

Noise and Vibration

ENG006-2-V4

The typical A-weighted noise levels are
sound pressure level: 92 dB (A)
sound power level: 103 dB (A)
Uncertainty is 3 dB (A).

– Wear ear protection. –

The typical weighted root mean square acceleration value is 7 m/s².

These values have been obtained according to EN60745.

EC-DECLARATION OF CONFORMITY

ENH101-5

We declare under our sole responsibility that this product is in compliance with the following standards of standardized documents,

EN60745, EN55014, EN61000

in accordance with Council Directives, 89/336/EEC and 98/37/EC.

Yasuhiko Kanzaki **CE 2005**


Director

MAKITA INTERNATIONAL EUROPE LTD.

Michigan Drive, Tongwell, Milton Keynes,
Bucks MK15 8JD, ENGLAND

Responsible manufacturer:
Makita Corporation Anjo Aichi Japan

1 Bohrer/-Meißelfett	12 Lösen	22 Kohlebürstenschutz- abdeckung
2 Einsteckende	13 Festziehen	23 Kohlebürstendeckel
3 Einsatzwerkzeug	14 Seitengriff	24 Schrauben
4 Werkzeugverriegelung	15 Elektronikschalter	25 Steckverbinder
5 Entriegelungsknopf	16 Drehzahl-Stellrad	26 Schwarz
6 Betriebsartenschalter	17 Klemmschraube	27 Weiß
7 Pfeil	18 Tiefenanschlag	28 Kurbelgehäusedeckel
8 Zusatzgriff	19 Netzkontrolleuchte (grün)	29 Innensechskantschlüssel
9 Um 360° dreh- und arretierbar	20 Wartungskontrolleuchte (rot)	30 Schmiermittel
10 8-fach schwenkbar	21 Schraubendreher	31 Verbindung zum Griff
11 Feststelmutter		

TECHNISCHE DATEN

Modell HR4500C

Vollbohrer

Einsatzwerkzeug mit Hartmetallspitze	45 mm
Bohrkronen	125 mm
Leerlaufdrehzahl (min ⁻¹)	120 – 240
Schlagzahl/min.	1 250 – 2 550
Gesamtlänge	488 mm
Nettogewicht	7,8 kg

- Wir behalten uns vor, Änderungen im Zuge der Entwicklung und des technischen Fortschritts ohne vorherige Ankündigung vorzunehmen.
- Hinweis: Die technischen Daten können von Land zu Land abweichen.

Netzanschluß

Die Maschine darf nur an die auf dem Typenschild angegebene Netzspannung angeschlossen werden und arbeitet nur mit Einphasen- Wechselspannung. Sie ist entsprechend den Europäischen Richtlinien doppelt schutzisoliert und kann daher auch an Steckdosen ohne Erdanschluß betrieben werden.

ALLGEMEINE SICHERHEITSREGELN

WARNUNG! Alle Anweisungen durchlesen. Eine Missachtung der unten aufgeführten Anweisungen kann zu einem elektrischen Schlag, Brand und/oder schweren Verletzungen führen. Der Ausdruck "Elektrowerkzeug" in allen nachstehenden Warnhinweisen bezieht sich auf Ihr mit Netzstrom (mit Kabel) oder Akku (ohne Kabel) betriebenes Elektrowerkzeug.

DIESE ANWEISUNGEN AUFBEWAHREN.

Sicherheit im Arbeitsbereich

1. **Halten Sie den Arbeitsbereich sauber und gut beleuchtet.** Unaufgeräumte und dunkle Bereiche führen zu Unfällen.
2. **Betreiben Sie Elektrowerkzeuge nicht in explosiven Umgebungen, wie z.B. in Gegenwart von brennbaren Flüssigkeiten, Gasen oder Staub.** Elektrowerkzeuge erzeugen Funken, die den Staub oder die Dämpfe entzünden können.
3. **Halten Sie Kinder und Umstehende während der Benutzung eines Elektrowerkzeugs vom Arbeitsbereich fern.** Ablenkungen können dazu führen, dass Sie die Kontrolle verlieren.

Elektrische Sicherheit

4. **Der Stecker des Elektrowerkzeugs muss an die Steckdose angepasst sein. Der Stecker darf auf keinen Fall in irgendeiner Form abgeändert werden. Verwenden Sie keine Adapterstecker mit geerdeten Elektrowerkzeugen.** Vorschriftsmäßige Stecker und passende Steckdosen reduzieren die Stromschlaggefahr.
5. **Vermeiden Sie Körperkontakt mit geerdeten Gegenständen (z.B. Rohre, Kühler, Herde, Kühlschränke).** Es besteht erhöhte Stromschlaggefahr, falls Ihr Körper Erdkontakt hat.
6. **Setzen Sie Elektrowerkzeuge keinem Regen oder Nässe aus.** Wasser, das in ein Elektrowerkzeug eindringt, erhöht die Stromschlaggefahr.
7. **Behandeln Sie das Kabel sorgfältig. Benutzen Sie das Kabel niemals zum Tragen, Ziehen oder Abtrennen des Elektrowerkzeugs. Halten Sie das Kabel von Hitze, Öl, scharfen Kanten oder beweglichen Teilen fern.** Ein beschädigtes oder verheddertes Kabel erhöht die Stromschlaggefahr.
8. **Wenn Sie ein Elektrowerkzeug im Freien betreiben, verwenden Sie ein für Freiluftbenutzung geeignetes Verlängerungskabel.** Die Verwendung eines für Freiluftbenutzung geeigneten Kabels reduziert die Stromschlaggefahr.

Persönliche Sicherheit

9. **Bleiben Sie wachsam, und lassen Sie beim Umgang mit einem Elektrowerkzeug Vorsicht und gesunden Menschenverstand walten. Benutzen Sie keine Elektrowerkzeuge, wenn Sie müde sind oder unter dem Einfluss von Drogen, Alkohol oder Medikamenten stehen.** Ein Augenblick der Unachtsamkeit während der Benutzung von Elektrowerkzeugen kann zu schweren Verletzungen führen.
10. **Benutzen Sie Schutzausrüstung. Tragen Sie stets eine Schutzbrille.** Sachgemäßer Gebrauch von Schutzausrüstung (z.B. Staubmaske, rutschfeste Sicherheitsschuhe, Helm und Gehörschutz) trägt zu einer Reduzierung der Verletzungsgefahr bei.
11. **Vermeiden Sie unbeabsichtigtes Einschalten. Vergewissern Sie sich, dass der Schalter in der Aus-Stellung ist, bevor Sie den Netzstecker einstecken.** Das Tragen von Elektrowerkzeugen mit dem Finger am Ein-Aus-Schalter oder das Anschließen bei eingeschaltetem Ein-Aus-Schalter führt zu Unfällen.

12. **Etwaige Einstell- oder Schraubenschlüssel sind vor dem Einschalten des Elektrowerkzeugs zu entfernen.** Ein Schrauben- oder Einstellschlüssel, der auf einem rotierenden Teil des Elektrowerkzeugs stecken gelassen wird, kann zu einer Verletzung führen.
13. **Übernehmen Sie sich nicht. Achten Sie stets auf sicheren Stand und gute Balance.** Sie haben dann in unerwarteten Situationen eine bessere Kontrolle über das Elektrowerkzeug.
14. **Achten Sie auf zweckmäßige Kleidung. Tragen Sie keine lose Kleidung oder Schmuck. Halten Sie Haare, Kleidung und Handschuhe von beweglichen Teilen fern.** Lose Kleidung, Schmuck oder langes Haar kann sich in beweglichen Teilen verfangen.
15. **Wenn Anschlussvorrichtungen für Staubabsaug- und Staubsammelgeräte vorhanden sind, sollten diese montiert und sachgerecht verwendet werden.** Die Verwendung solcher Vorrichtungen kann durch Staub verursachte Gefahren reduzieren.

Gebrauch und Pflege von Elektrowerkzeugen

16. **Setzen Sie Elektrowerkzeuge keiner Gewaltanwendung aus. Verwenden Sie das korrekte Elektrowerkzeug für Ihre Anwendung.** Ein korrektes Elektrowerkzeug verrichtet die anstehende Arbeit bei sachgemäßer Handhabung besser und sicherer.
17. **Benutzen Sie das Elektrowerkzeug nicht, wenn es sich nicht mit dem Ein-Aus-Schalter ein- und ausschalten lässt.** Ein Elektrowerkzeug, das nicht auf die Schalterbetätigung reagiert, ist gefährlich und muss repariert werden.
18. **Trennen Sie den Stecker von der Stromquelle und/oder den Akku vom Elektrowerkzeug, bevor Sie Einstellungen durchführen, Zubehör auswechseln oder das Elektrowerkzeug lagern.** Solche vorbeugenden Sicherheitsmaßnahmen reduzieren die Gefahr eines versehentlichen Einschaltens des Elektrowerkzeugs.
19. **Bewahren Sie unbenutzte Elektrowerkzeuge außer Reichweite von Kindern auf, und lassen Sie nicht zu, dass Personen, die nicht mit dem Elektrowerkzeug oder diesen Anweisungen vertraut sind, das Elektrowerkzeug benutzen.** Elektrowerkzeuge in den Händen unerfahrener Benutzer sind gefährlich.
20. **Pflegen Sie Elektrowerkzeuge. Überprüfen Sie Elektrowerkzeuge auf Fehlausrichtung oder Schleifen beweglicher Teile, Beschädigung von Teilen und andere Zustände, die ihren Betrieb beeinträchtigen können. Lassen Sie das Elektrowerkzeug bei Beschädigung vor der Benutzung reparieren.** Viele Unfälle werden durch schlecht gewartete Elektrowerkzeuge verursacht.
21. **Halten Sie Schneidwerkzeuge scharf und sauber.** Gut instand gehaltene Schneidwerkzeuge mit scharfen Schneiden sind weniger anfällig für Klemmen und lassen sich leichter handhaben.
22. **Benutzen Sie das Elektrowerkzeug, das Zubehör, die Einsatzwerkzeuge usw. gemäß diesen Anweisungen und in der für das jeweilige Elektrowerkzeug vorgesehenen Weise, und berücksichtigen Sie stets die Arbeitsbedingungen und die anstehende Arbeit.** Unsachgemäßer Gebrauch des Elektrowerkzeugs kann zu einer Gefahrensituation führen.

Wartung

23. **Lassen Sie Ihr Elektrowerkzeug nur unter Verwendung identischer Ersatzteile von einem qualifizierten Wartungstechniker warten.** Dadurch wird die Aufrechterhaltung der Sicherheit des Elektrowerkzeugs gewährleistet.
24. **Befolgen Sie die Anweisungen für die Schmierung und den Austausch von Zubehör.**
25. **Halten Sie Griffe trocken, sauber und frei von Öl und Fett.**

SPEZIELLE SICHERHEITSREGELN

Lassen Sie sich NICHT durch Bequemlichkeit oder Vertrautheit mit dem Produkt (durch wiederholten Gebrauch erworben) von der strikten Einhaltung der Sicherheitsregeln für den Bohrhämmer abhalten. Wenn Sie dieses Werkzeug auf unsichere oder unsachgemäße Weise benutzen, können Sie schwere Verletzungen erleiden.

1. **Tragen Sie Gehörschützer.** Lärmwirkung kann zu Gehörverlust führen.
2. **Benutzen Sie die mit dem Werkzeug gelieferten Zusatzgriffe.** Verlust der Kontrolle kann Verletzungen verursachen.
3. **Halten Sie Elektrowerkzeuge nur an den isolierten Griffflächen, wenn Sie Arbeiten ausführen, bei denen die Gefahr besteht, dass verborgene Kabel oder das eigene Kabel kontaktiert werden.** Bei Kontakt mit einem stromführenden Kabel werden die freiliegenden Metallteile des Werkzeugs ebenfalls stromführend, so dass der Benutzer einen elektrischen Schlag erleiden kann.
4. **Tragen Sie Schutzhelm, Schutzbrille und/oder Gesichtsschutz.** Eine gewöhnliche Brille oder Sonnenbrille ist KEIN Ersatz für eine Sicherheitsbrille. Das Tragen einer Staubmaske und dick gepolsterter Handschuhe ist ebenfalls zu empfehlen.
5. **Vergewissern Sie sich vor der Arbeit, dass der Einsatz sicher montiert ist.**
6. **Das Werkzeug ist so ausgelegt, dass es bei normalem Betrieb Vibrationen erzeugt. Durch Lockerung von Schrauben kann es zu einem Ausfall oder Unfall kommen. Überprüfen Sie sorgfältig die Festigkeit der Schrauben vor der Arbeit.**
7. **Lassen Sie das Werkzeug bei niedrigen Temperaturen oder nach längerer Nichtbenutzung eine Zeit lang im Leerlauf warm laufen. Dadurch wird die Schmierung verbessert. Betrieb im kalten Zustand erschwert die Schlagbohrarbeit.**
8. **Achten Sie stets auf sicheren Stand. Vergewissern Sie sich bei Einsatz des Werkzeugs an hochgelegenen Arbeitsplätzen, dass sich keine Personen darunter aufhalten.**
9. **Halten Sie das Werkzeug mit beiden Händen fest.**
10. **Halten Sie die Hände von beweglichen Teilen fern.**
11. **Lassen Sie das Werkzeug nicht unbeaufsichtigt laufen. Benutzen Sie das Werkzeug nur mit Handhaltung.**
12. **Richten Sie das Werkzeug während des Betriebs nicht auf umstehende Personen. Der Einsatz könnte herausschnellen und schwere Verletzungen verursachen.**

13. Vermeiden Sie eine Berührung des Bohreinsatzes oder der umliegenden Teile unmittelbar nach der Bearbeitung, weil die Teile noch sehr heiß sind und Hautverbrennungen verursachen können.
14. Manche Materialien können giftige Chemikalien enthalten. Treffen Sie Vorsichtsmaßnahmen, um das Einatmen von Arbeitsstaub und Hautkontakt zu verhüten. Befolgen Sie die Sicherheitsdaten des Materialherstellers.

BEWAHREN SIE DIESE HINWEISE SORGFÄLTIG AUF.

WARNUNG:
MISSBRAUCH oder Missachtung der Sicherheitsvorschriften in dieser Anleitung können schwere Verletzungen verursachen.

BEDIENUNGSHINWEISE

Montage und Demontage von Einsatzwerkzeugen

VORSICHT:

Vergewissern Sie sich vor der Montage bzw. Demontage eines Einsatzwerkzeugs grundsätzlich, daß die Maschine abgeschaltet und der Netzstecker gezogen ist.


Das Einsteckende vor dem Einsetzen in die Maschine säubern und anschließend mit dem mitgelieferten Bohrer/Meißelfett schmieren. **(Abb. 1)**

Einsatzwerkzeug drehend in die Werkzeugaufnahme einführen und einschieben, bis es einrastet. **(Abb. 2)**

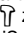
Sollte das Einsatzwerkzeug nicht einzuschieben sein, ziehen Sie es wieder heraus und betätigen Sie die Werkzeugverriegelung zwei- bis dreimal. Anschließend den Vorgang wiederholen. **(Abb. 3)**
Prüfen Sie nach jedem Montagevorgang den sicheren Sitz des Einsatzwerkzeugs durch Zugversuch. Zur Demontage des Einsatzwerkzeugs die Werkzeugverriegelung bis zum Anschlag in Richtung Maschinengehäuse ziehen und das Einsatzwerkzeug entnehmen. **(Abb. 4)**

Wahl der Betriebsart

Drehung mit Hammerbohren (Abb. 5 u. 6)

Zum Bohren in Beton, Granit, Ziegelstein usw. drücken Sie den Entriegelungsknopf und drehen den Betriebsartenschalter, bis der Pfeil auf das Symbol  weist. Verwenden Sie nur HM-bestückte Hammerbohrer.

Meißelbetrieb (Abb. 5 u. 7)

Für Meißelbetrieb Entriegelungsknopf drücken und Betriebsartenschalter drehen, bis der Pfeil auf das Symbol  zeigt. Verwenden Sie einen spitzmeißel, Flachmeißel, Stemmeißel usw.


VORSICHT:


- Der Betriebsartenschalter darf während des Betriebs nicht betätigt werden.
- Um Getriebebeschäden/-verschleiß zu vermeiden, ist der Betriebsartenschalter in einer der beiden Betriebsartenstellungen einzurasten.

Einsatzwerkzeugposition (beim Meißeln, Stemmen oder Abräumen)

VORSICHT:

Vergewissern Sie sich vor Änderung der Einsatzwerkzeugposition, daß die Maschine abgeschaltet und der Netzstecker gezogen ist.

Das Einsatzwerkzeug kann in 16 verschiedenen Positionen gesichert werden. Zur Änderung der Position Entriegelungsknopf drücken und den Betriebsartenschalter mit dem Pfeil auf Symbol  stellen. Das Einsatzwerkzeug in die gewünschte Position drehen. **(Abb. 8)**

Entriegelungsknopf drücken und Betriebsartenschalter mit dem Pfeil auf Symbol  stellen. **(Abb. 9)**

Prüfen Sie den sicheren Sitz des Einsatzwerkzeugs durch Drehversuch.

Zusatzgriff (Abb. 10)

VORSICHT:

Verwenden Sie den Zusatzgriff nur für den Meißelbetrieb. Benutzen Sie diesen Griff nicht für den Hammerbohrbetrieb, da die Maschine mit diesem Zusatzgriff nicht sicher gehalten werden kann.

Durch Lösen der Feststellmutter kann der Seitengriff um 360° gedreht und in jeder gewünschten Position gesichert werden. Der Griff läßt sich außerdem in acht verschiedene Positionen schwenken. Danach die Feststellmutter fest anziehen.

Seitengriff (Abb. 11)

VORSICHT:

Zum Erhalt der Betriebssicherheit ist der Seitengriff beim Hammerbohrbetrieb stets zu verwenden.

Der Seitengriff wird durch Linksdrehung gelöst und kann zu beiden Seiten geschwenkt werden, um die Maschine in jeder Arbeitsposition sicher halten zu können. Durch Rechtsdrehung wird der Seitengriff gegen Verdrehen gesichert.

Schalterfunktion (Abb. 12)

VORSICHT:

Vergewissern Sie sich vor dem Anschließen der Maschine an das Stromnetz stets, daß der EIN/AUS-Schalter ordnungsgemäß funktioniert und beim Loslassen in die AUS-Stellung zurückkehrt.

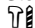
Zum Einschalten drücken Sie einfach den EIN/AUS-Schalter. Zum Ausschalten lassen Sie den Schalter los.

Drehzahl-/Schlagzahlvorwahl (Abb. 13)

Die Drehzahl-/Schlagzahlvorwahl der Maschine kann am Drehzahl-Stellrad vorgewählt werden. Das Drehzahl-Stellrad ist von "1" (niedrigste Schlagzahl) bis "6" (höchste Schlagzahl) markiert. Die nachstehende Tabelle zeigt den Zusammenhang zwischen der vorgewählten Einstellung und der Schlag-/Drehzahl.

Einstellung Drehzahl-Stellrad	Drehzahl (min ⁻¹)	Schlagzahl (min ⁻¹)
6	240	2 550
5	230	2 450
4	200	2 100
3	160	1 700
2	130	1 300
1	120	1 250

Hammerbohren (Abb. 14)

Stellen Sie den Betriebsartenschalter auf das Symbol  ein. Setzen Sie das Einsatzwerkzeug an die gewünschte Bohrposition und drücken Sie dann den EIN/AUS-Schalter. Üben Sie keinen zu großen Druck auf die Maschine aus. Beim Arbeiten mit leichtem Druck werden die besten Ergebnisse erzielt. Führen Sie die Maschine im rechten Winkel zur Arbeitsfläche, um ein Abrutschen aus dem Bohrloch zu verhindern.

Sollte die Bohrmehlabfuhr (z. B. durch feuchtes Gestein) gestört sein, ziehen Sie den Bohrer aus der Bohrung heraus und entfernen Sie das Bohrmehl aus der Bohrung bzw. den Spiralnuten des Bohrers.

VORSICHT:

Beim Bohren in eisenbewehrtem Beton kann das Einsatzwerkzeug blockieren und so die Rutschkupplung der Maschine auslösen. Achten Sie daher auf sicheren Stand und halten Sie die Maschine sicher mit beiden Händen fest, um die hohen Rückdrehmomente aufzufangen.

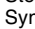
Drehmomentbegrenzung

Die Rutschkupplung der Maschine begrenzt das Drehmoment auf einen werkseitig eingestellten Maximalwert. Bei Auslösen trennt die Rutschkupplung den Antrieb von der Bohrspindel und das Einsatzwerkzeug kommt zum Stillstand.

VORSICHT:

Bei Auslösen der Rutschkupplung Maschine sofort abschalten, um frühzeitigen Verschleiß zu vermeiden.

Meißelbetrieb (Abb. 15)

Stellen Sie den Betriebsartenschalter auf das Symbol  ein. Halten Sie die Maschine sicher mit beiden Händen fest. Schalten Sie die Maschine ein und arbeiten Sie mit leichtem, kontrollierten Gegenruck auf die Maschine. Übermäßiger Druck führt zu keinem höheren Arbeitsfortschritt.

Tiefenanschlag (Abb. 16)

Zur Herstellung gleichbleibender Bohrtiefen kann der Tiefenanschlag verwendet werden. Lösen Sie dazu die Klemmschraube, stellen Sie den Tiefenanschlag auf die gewünschte Bohrtiefe und ziehen anschließend die Klemmschraube wieder fest.

HINWEIS:

Bei Positionierung des Tiefenanschlags gegen das Getriebegehäuse kann dieser nicht verwendet werden.

Kontrollleuchten (Abb. 17)

Beim Einschalten der Maschine leuchtet die grüne Netzkontrollleuchte auf. Sollte die Maschine nicht anlaufen, liegt ein Defekt des Motors, der Regelelektronik bzw. der Kohlebürsten vor. Sollte die Netzkontrollleuchte nicht leuchten und die Maschine sich nicht einschalten lassen, kann ein Schalter-bzw. Netzka-beldefekt vorliegen.

Die rote Wartungskontrollleuchte signalisiert den erforderlichen Kohlebürstenwechsel und Wartung. Die Maschine schaltet ca. 8 Betriebsstunden nach Aufleuchten der Wartungskontrollleuchte selbsttätig ab.

WARTUNG

VORSICHT:

Vor Arbeiten an der Maschine vergewissern Sie sich, daß sich der Schalter in der "OFF-" Position befindet und der Netzstecker gezogen ist.

Auswechseln der Kohlebürsten (Abb. 18 u. 19)

Wenn die Kohlebürsten bis auf die Verschleißgrenze abgenutzt sind, wird der Motor automatisch abgeschaltet. In einem solchen Fall lösen Sie die Schrauben, mit denen der Bürstenhalterdeckel befestigt ist. Entfernen Sie den Bürstenhalterdeckel und wechseln Sie beide Kohlebürsten gleichzeitig aus. Verwenden Sie stets ein Paar identischer Kohlebürsten.

Schmierung

Diese Maschine ist mit einem versiegelten Schmier-system ausgestattet. Schmieren Sie die Maschine bei jedem Auswechseln der Kohlebürsten.

Lassen Sie die Maschine einige Minuten warmlaufen. Schalten Sie die Maschine aus und ziehen Sie den Netzstecker.

Lösen Sie die sechs Schrauben und entfernen Sie den Griff. Bitte beachten Sie die unterschiedlichen Trennen Sie den Steckverbinder durch Ziehen ab.

(Abb. 21)

Entfernen Sie den Kurbelgehäusedeckel mit dem Innensechskantschlüssel. (Abb. 22)

Stellen Sie die Maschine so auf eine Unterlage, daß sich das verbleibende Schmiermittel im Kurbelgehäuse sammeln kann (Werkzeugaufnahme nach oben gerichtet). Entfernen Sie das verbrauchte Schmiermittel mit einem Lappen und füllen Sie frisches Schmiermittel (60 g) ein. Verwenden Sie ausschließlich Original-Makita-Schmiermittel (Sonderzubehör). Wird mehr als die vorgeschriebene Menge (ca. 60 g) Schmiermittel eingefüllt, kann dies zu Betriebsstörungen und Getriebebeschäden führen. Bringen Sie dann den Kurbelgehäusedeckel wieder an und ziehen Sie ihn mit dem Innensechskantschlüssel fest. **(Abb. 23)**

Schließen Sie den Steckverbinder wieder an, und befestigen Sie den Griff wieder. **(Abb. 24)**

VORSICHT:

- Achten Sie sorgfältig darauf, daß die Steckverbinder oder elektrischen Leitungen nicht beschädigt werden, besonders beim Abwischen des verbrauchten Schmiermittels und beim Anbringen des Griffes.
- Ziehen Sie den Kurbelgehäusedeckel nicht übermäßig fest an. Er besteht aus Kunstharz und könnte beschädigt werden.

Um die Sicherheit und Zuverlässigkeit dieses Gerätes zu gewährleisten, sollten Reparatur-, Wartungs-, und Einstellarbeiten nur von Makita autorisierten Werkstätten oder Kundendienstzentren unter ausschließlicher Verwendung von Makita-Originalersatzteilen ausgeführt werden.

ZUBEHÖR

VORSICHT:

Die folgenden Zubehörteile oder Vorrichtungen werden für den Einsatz mit der in dieser Anleitung beschriebenen Makita-Maschine empfohlen. Die Verwendung anderer Zubehörteile oder Vorrichtungen kann eine Verletzungsgefahr darstellen. Verwenden Sie Zubehörteile oder Vorrichtungen nur für ihren vorgesehenen Zweck.

Wenn Sie weitere Einzelheiten bezüglich dieser Zubehörteile benötigen, wenden Sie sich bitte an Ihre Makita-Kundendienststelle.

- SDS-MAX Bohrer mit Hartmetallspitze
- SDS-MAX Spitzmeißel
- SDS-MAX Flachmeißel
- SDS-MAX Stemmeißel
- SDS-MAX Fliesenmeißel
- SDS-MAX Tonspaten
- Tiefenanschlag
- Seitengriff
- Einsatzwerkzeug-Schmiermittel (100 g)
- Meißelhammer-Schmiermittel (30 g)
- Tragekoffer
- Schutzbrille

Nur für europäische Länder

Geräusch- und Vibrationsentwicklung

ENG006-2-V4

Die typischen A-bewerteten Geräuschpegel betragen:

- Schalldruckpegel: 92 dB (A)
- Schalleistungspegel: 103 dB (A)
- Die Abweichung beträgt 3 dB (A).
- Gehörschutz tragen. –

Der gewichtete Effektivwert der Beschleunigung beträgt 7 m/s^2 .

Diese Werte wurden gemäß EN60745 erhalten.

CE-KONFORMITÄTSERKLÄRUNG

ENH101-5

Hiermit erklärt wir unter unserer alleinigen Verantwortung, daß dieses Produkt gemäß den Ratsdirektiven 89/336/EWG und 98/37/EG mit den folgenden Normen von Normendokumenten übereinstimmen:

EN60745, EN55014, EN61000.

Yasuhiko Kanzaki **CE 2005**



Direktor

MAKITA INTERNATIONAL EUROPE LTD.

Michigan Drive, Tongwell, Milton Keynes,
Bucks MK15 8JD, ENGLAND

Verantwortlicher Hersteller:

Makita Corporation Anjo Aichi Japan

1 Smar do końcówek	11 Nakrętka zaciskowa	22 Pokrywa pojemnika na szczoteczki
2 Trzon końcówki	12 Odkręcanie	23 Osłona pojemnika
3 Końcówka	13 Zakręcanie	na szczoteczki
4 Obudowa zacisku	14 Uchwyt boczny	24 Śruby
5 Przycisk blokady	15 Język włącznika	25 Wtyczka
6 Dźwignia zmiany	16 Pokrętło regulacyjne	26 Czarna
7 Wskaźnik	17 Śruba zaciskowa	27 Biała
8 Uchwyt boczny	18 Miernik głębokości	28 Pokrywa korby
9 Może być obrócony w pionie o 360° i zamocowany w dowolnym położeniu	19 Lampka wskaźnika zasilania (zielona)	29 Klucz sześciokątny
10 Może być zamocowany w ośmiu różnych położeniach do tyłu i do przodu w poziomie	20 Lampka wskaźnika obsługi (czerwona)	30 Smar do młota
	21 Śrubokręt	31 Do uchwytu

DANE TECHNICZNE

Model **HR4500C**

Zdolność wiercenia	
Wiertło z węglika wolframu	45 mm
Koronka rdzeniowa	125 mm
Prędkość bez obciążenia (min ⁻¹)	120 – 240
Liczba uderzeń na minutę	1250 – 2550
Całkowita długość	488 mm
Ciężar netto	7,8 kg

- Ze względu na prowadzony program udoskonaleń i badań, podane dane techniczne mogą zostać zmienione bez uprzedzenia.
- Uwaga: Dane techniczne mogą się różnić w zależności od kraju.

Zasilanie

Urządzenie to, powinno być podłączone tylko do źródła zasilania o takim samym napięciu jak pokazano na tabliczce znamionowej i może być używane dla zmiennego/stalego prądu jednofazowego. Zgodnie ze standardami Unii Europejskiej zastosowano podwójną izolację i dlatego też możliwe jest zasilanie z gniazda bez uziemienia.

OGÓLNE ZASADY BEZPIECZEŃSTWA

UWAGA! Przeczytaj wszystkie instrukcje. Niestosowanie się do wszystkich instrukcji podanych poniżej może doprowadzić do porażenia prądem, pożaru lub poważnych obrażeń. Określenie „urządzenie zasilane prądem” we wszystkich poniższych ostrzeżeniach odnosi się do urządzeń zasilanych prądem z sieci (przewodowych) lub z akumulatora (bezprowodowych).

ZACHOWAJ TĘ INSTRUKCJĘ.

Bezpieczeństwo miejsca pracy

1. **Miejsce pracy powinno być uporządkowane i dobrze oświetlone.** Nieuporządkowane i ciemne miejsca sprzyjają wypadkom.
2. **Nie używaj urządzeń zasilanych prądem w miejscach, gdzie w powietrzu znajdują się substancje wybuchowe, np. w pobliżu palnych płynów, gazów lub pyłów.** Urządzenia zasilane prądem wytwarzają iskry, które mogą zapalić pyły lub opary.

3. **Podczas pracy z urządzeniem zasilanym prądem dzieci i osoby postronne powinny znajdować się z dala.** Rozproszenie może doprowadzić do utraty panowania.

Bezpieczeństwo elektryczne

4. **Wtyczki urządzeń zasilanych prądem muszą pasować do gniazdek. Nigdy nie przerabiaj wtyczki w żaden sposób. Dla urządzeń zasilanych prądem z uziemieniem nie używaj żadnych adapterów wtyczek.** Nie przerabiane wtyczki i pasujące do nich gniazdzka zmniejszają niebezpieczeństwo porażenia prądem.
5. **Unikaj dotykania ciałem uziemionych powierzchni, takich jak rury, kaloryfery, grzejniki i lodówki.** Kiedy ciało jest uziemione, niebezpieczeństwo porażenia prądem jest większe.
6. **Nie narażaj urządzeń zasilanych prądem na deszcz lub wilgoć.** Dostanie się wody do wnętrza urządzenia zasilanego prądem może zwiększyć niebezpieczeństwo porażenia prądem.
7. **Obchodź się starannie z przewodem. Nigdy nie używaj go do przenoszenia, przeciągania lub odłączania od zasilania urządzenia zasilanego prądem.** Trzymaj przewód z dala od źródeł ciepła, oleju ostrych krawędzi i ruchomych części. Uszkodzone lub splecione przewody zwiększają niebezpieczeństwo porażenia prądem.
8. **Podczas używania urządzenia zasilanego prądem na zewnątrz korzystaj z przedłużacza przeznaczonego do użytku na zewnątrz.** Korzystania z przedłużacza przeznaczonego do użytku na zewnątrz zmniejsza niebezpieczeństwo porażenia prądem.

Bezpieczeństwo osobiste

9. **Podczas pracy z urządzeniem zasilanym prądem zachowuj czujność, uważaj, co robisz, i zachowuj zdrowy rozsądek. Nie używaj urządzeń zasilanych prądem, kiedy jesteś zmęczony lub pod wpływem narkotyków, alkoholu lub lekarstw.** Chwila nieuwagi podczas obsługi urządzenia zasilanego prądem może doprowadzić do poważnych obrażeń.

10. **Używaj wyposażenia ochronnego. Zawsze zakładaj osłonę oczu.** Wyposażenia ochronne, takie jak maska przeciwpyłowa, obuwie z podeszwą antypoślizgową, kask lub osłona uszu, używane w wymagających tego sytuacjach, może zapobiec obrażeniom.
 11. **Unikaj przypadkowego włączenia urządzenia. Przed podłączeniem do zasilania upewnij się, czy włącznik znajduje się w położeniu wyłączonym.** Przenoszenie urządzenia z palcem na włączniku lub podłączanie do zasilania z włączonym włącznikiem prowokuje wypadki.
 12. **Przed włączeniem urządzenia zasilanego prądem zdejmij z niego wszelkie klucze do regulacji.** Pozostawienie klucza założonego na obracającą się część urządzenia zasilanego prądem może spowodować obrażenia.
 13. **Nie pochylaj się zbyt silnie. Przez cały czas stój pewnie i w równowadze.** Pozwala to na lepsze panowanie nad urządzeniem zasilanym prądem w nieoczekiwanych sytuacjach.
 14. **Ubiaeraj się właściwie. Nie zakładaj luźnych rzeczy lub biżuterii. Trzymaj włosy, ubranie i rękawice z dala od ruchomych części.** Luźne ubranie, biżuteria i długie włosy mogą zaplątać się w ruchome części.
 15. **Jeżeli posiadasz urządzenia do podłączenia wyciągów pyłu, upewnij się, czy są one podłączone i prawidłowo używane.** Korzystanie z takich urządzeń może ograniczyć zagrożenia powodowane przez pył.
- Korzystanie i dbanie o urządzenia zasilane prądem**
16. **Nie przeciążaj urządzeń zasilanych prądem. Korzystaj z urządzeń przeznaczonych do wykonywania danej pracy.** Właściwe urządzenie zasilane prądem wykona pracę lepiej i bezpieczniej, kiedy będzie używane w tempie, na jakie zostało zaprojektowane.
 17. **Nie używaj urządzenia zasilanego prądem, jeżeli nie można go włączyć i wyłączyć włącznikiem.** Wszelkie urządzenia zasilane prądem, których nie można kontrolować włącznikiem są niebezpieczne i muszą być naprawione.
 18. **Przed wykonywaniem wszelkich regulacji, wymianą wyposażenia lub przechowywaniem urządzenia zasilanego prądem odłącz wtyczkę od źródła zasilania lub odłącz akumulator.** Taki środek zapobiegawczy zmniejsza niebezpieczeństwo przypadkowego uruchomienia urządzenia.
 19. **Przechowuj nie używane urządzenia zasilane prądem poza zasięgiem dzieci i nie pozwalaj, aby obsługiwały je osoby nie zaznajomione z nimi lub niniejszą instrukcją obsługi.** Urządzenia zasilane prądem w rękach nie przeszkolonych osób są niebezpieczne.
 20. **Konserwuj urządzenia zasilane prądem. Sprawdzaj, czy ruchome części są prawidłowo ustawione i nie blokują się, czy części nie są pęknięte i czy nie zachodzą inne warunki mogące mieć wpływ na pracę urządzenia zasilanego prądem.** Jeżeli urządzenie zasilane prądem będzie uszkodzone, napraw je przed użyciem. Źle utrzymane urządzenia zasilane prądem powodują wiele wypadków.

21. **Urządzenia tnące powinny być czyste i naostrzone.** Właściwie utrzymane urządzenia tnące z naostrzonymi ostrzami nie zakleszczają się tak łatwo i można nad nimi łatwiej panować.
22. **Używaj wyposażenia, końcówek roboczych itp. urządzeń zasilanych prądem zgodnie z niniejszą instrukcją obsługi i w sposób przeznaczony dla danego urządzenia, biorąc pod uwagę warunki pracy i wykonywane zadanie.** Używanie urządzeń zasilanych prądem do prac, do których nie są one przeznaczone, może doprowadzić do niebezpiecznych sytuacji.

Serwis

23. **Serwis urządzeń zasilanych prądem powinien być wykonywany przez wykwalifikowane osoby i przy użyciu wyłącznie jednakowych części zamiennych.** Zapewni to zachowanie bezpieczeństwa pracy z urządzeniem zasilanym prądem.
24. **Postępuj zgodnie z zaleceniami dotyczącymi smarowania i wymiany wyposażenia.**
25. **Uchwyty powinny być suche, czyste i nie pokryte olejem lub smarem.**

IECZENSTWA

NIE pozwól, aby poczucie pewności i znajomości urządzenia (uzyskane w wyniku wielokrotnego używania) zastąpiło ściśle przestrzeganie zasad bezpiecznej pracy z młotem obrotowym. Jeżeli urządzenie będzie używane w sposób niebezpieczny lub nieprawidłowy, może dojść do poważnych obrażeń.

1. **Zakładaj osłonę uszu.** Narażania się na hałas może spowodować utratę słuchu.
2. **Używaj uchwytów pomocniczych dołączonej do urządzenia.** Utrata panowania nad urządzeniem może spowodować obrażenia.
3. **Podczas wykonywania prac, w trakcie których urządzenie tnące może zetknąć się z ukrytymi przewodami elektrycznymi lub własnym kablem, trzymaj urządzenie zasilane prądem za izolowane powierzchnie uchwytu..** Zetknięcie z przewodem elektrycznym pod napięciem sprawi, że odkryte metalowe części urządzenia znajdą się również pod napięciem, co może doprowadzić do porażenia prądem operatora.
4. **Zakładaj kask ochronny, okulary ochronne lub osłonę twarzy.** Zwykłe okulary lub okulary słoneczne **NIE** są okularami ochronnymi. Zdecydowanie zalecane jest również zakładanie maski przeciwpyłowej i grubych rękawic roboczych.
5. **Przed przystąpieniem do pracy upewnij się, czy końcówka robocza jest dobrze zamocowana.**
6. **Urządzenie jest zaprojektowane w taki sposób, że w normalnych warunkach powoduje drgania.** Śruby mogą się łatwo poluzować, powodując uszkodzenie lub wypadek. Przed przystąpieniem do pracy sprawdź dokładnie dokręcenie śrub.
7. **W niskich temperaturach lub jeżeli urządzenie nie było długo używane, pozwól mu przez chwilę rozgrzać się, uruchamiając je bez obciążenia.** Rozluźni to smar. Bez właściwego rozgrzania praca jest trudna.

8. **Zawsze upewnij się, czy stoisz pewnie.**
Podczas używania urządzenia na wysokościach upewnij się, czy pod spodem nie ma innych osób.
9. **Trzymaj urządzenie pewnie dwiema rękoma.**
10. **Trzymaj ręce z dala od ruchomych części.**
11. **Nie odchodź od pracującego urządzenia.**
Obsługuj urządzenie wyłącznie, kiedy trzymasz je w rękach.
12. **Podczas pracy nie kieruj urządzenia w kierunku znajdujących się w pobliżu osób. Końcówka robocza może wylecieć i spowodować poważne obrażenia.**
13. **Nie dotykaj końcówki roboczej ani znajdujących się w jej pobliżu części natychmiast po zakończeniu pracy; mogą być one bardzo gorące i poparzyć skórę.**
14. **Niektóre materiały zawierają substancje, które mogą być trujące. Podejmij środki zapobiegające wdychaniu pyłu i ich kontaktowi ze skórą. Postępuj zgodnie z zaleceniami producenta materiału.**

ZACHOWAJ INSTRUKCJĘ OBSŁUGI.

OSTRZEŻENIE:

NIEWŁAŚCIWE UŻYWANIE lub niestosowanie się do zasad bezpieczeństwa podanych w niniejszej instrukcji obsługi może doprowadzić do poważnych obrażeń.

INSTRUKCJA OBSŁUGI

Zakładanie lub zdejmowanie końcówki

OSTRZEŻENIE:

Przed zakładaniem lub zdejmowaniem końcówki zawsze upewnij się, czy urządzenie jest wyłączone i odłączone od zasilania.

Przed założeniem oczyść trzon końcówki i pokryj go dostarczonym smarem do końcówki. **(Rys. 1)**

Włóż końcówkę do urządzenia. Obróć końcówkę i wciśnij ją, aż zostanie pochwycona. **(Rys. 2)**

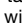
Jeżeli nie można wpełznąć końcówki, wyjmij ją. Pociągnij kilka razy do dołu obudowę zacisku. Następnie ponownie włóż końcówkę. Obróć końcówkę i wciśnij ją, aż zostanie pochwycona. **(Rys. 3)**

Po założeniu zawsze sprawdź, czy końcówka jest pewnie zamocowana na miejscu, próbując ją wyciągnąć.


Aby wyjąć końcówkę, pociągnij obudowę zacisku do końca, do dołu i wyciągnij końcówkę. **(Rys. 4)**

Wybór sposobu pracy

Obroty z uderzaniem (Rys. 5 i 6)

W celu wiercenia w betonie, murach itp. naciśnij przycisk blokady i obróć dźwignię zmiany tak, aby wskaźnik pokazywał na znak . Używaj wiertła z wierzchołkiem z węgliką wolframu.

Tylko uderzanie (Rys. 5 i 7)

W celu rozbijania, łuszczenia lub burzenia naciśnij przycisk blokady i obróć dźwignię zmiany tak, aby wskaźnik pokazywał na znak . Używaj żerdzi wiertniczej, przecinaka ślusarskiego, dłuta do czyszczenia powierzchni itp.


OSTRZEŻENIE:


- Nie obracaj dźwigni zmiany trybu, kiedy urządzenie pracuje pod obciążeniem. Doprowadzi to do jego uszkodzenia.
- Aby uniknąć szybkiego zużycia się mechanizmu zmiany trybu, zawsze ustawiaj dźwignię dokładnie w jednej z pozycji trybu pracy.

Kąt końcówki (podczas rozbijania, łuszczenia lub burzenia)

OSTRZEŻENIE:

Przed zmienianiem kąta końcówki zawsze upewnij się, czy urządzenie jest wyłączone i odłączone od zasilania.

Końcówka może być zamocowana pod 16 różnymi kątami. Aby zmienić kąt końcówki, naciśnij przycisk blokady i obróć dźwignię zmiany tak, aby wskaźnik pokazywał na znak . Obróć końcówkę dożądanego położenia. **(Rys. 8)**

Naciśnij przycisk blokady i obróć dźwignię zmiany tak, aby wskaźnik pokazywał na znak . **(Rys. 9)**

Następnie upewnij się, czy końcówka jest pewnie zamocowana na miejscu, obracając ją lekko.

Uchwyt boczny (Rys. 10)

OSTRZEŻENIE:

Używaj uchwytu bocznego tylko podczas rozbijania, łuszczenia i burzenia. Nie używaj go podczas wiercenia w betonie, murach itp. Podczas wiercenia nie można prawidłowo trzymać urządzenia za uchwyt boczny.

Uchwyt boczny może być obrócony w pionie o 360° i zamocowany w dowolnym położeniu. Może być również zamocowany w ośmiu różnych położeniach do tyłu i do przodu w poziomie. Aby obrócić uchwyt dożądanego położenia, wystarczy tylko odkręcić nakrętkę zaciskową. Następnie zakręć mocno nakrętkę zaciskową.

Uchwyt boczny (Rys. 11)

OSTRZEŻENIE:

Podczas wiercenia w betonie, murach itp., w celu zapewnienia bezpieczeństwa pracy zawsze używaj uchwytu bocznego.

Uchwyt boczny obraca się w obie strony, umożliwiając łatwe trzymanie urządzenia w dowolnym położeniu. Odkręć uchwyt boczny, obracając go przeciwnie do ruchu wskazówek zegara, obróć dożądanego położenia i następnie zakręć, obracając zgodnie z ruchem wskazówek zegara.

Działanie przełącznika (Rys. 12)

OSTRZEŻENIE:

Przed podłączeniem urządzenia do zasilania zawsze sprawdź, czy spust włącznika działa poprawnie i powraca do położenia „OFF” po zwolnieniu.


Aby uruchomić urządzenie, pociągnij za spust. Zwolnij spust, aby zatrzymać urządzenie.

Zmiana prędkości (Rys. 13)

Można regulować liczbą obrotów i uderzeń na minutę, obracając pokrętle regulacyjnym. Pokrętko jest oznaczone od 1 (najniższa prędkość) do 6 (najwyższa prędkość). Z zależnością pomiędzy liczbą ustawioną na pokrętle regulacyjnym a liczbą obrotów/uderzeń na minutę zapoznaj się w poniższej tabeli.

Liczba na pokrętle regulacyjnym	Liczba obrotów na minutę	Liczba uderzeń na minutę
6	240	2550
5	230	2450
4	200	2100
3	160	1700
2	130	1300
1	120	1250

Obroty z uderzeniem (Rys. 14)

Ustaw dźwignię zmiany w położeniu oznaczonym . Ustaw końcówkę w miejscu przewidywanego otworu, a następnie pociągnij za spust. Nie przeciążaj urządzenia. Najlepsze rezultaty uzyskuje się wywierając lekki nacisk. Utrzymuj urządzenie we właściwym położeniu i zapobiegaj wypadnięciu z otworu.

Nie zwiększaj nacisku, kiedy otwór zapcha się wiórami lub odłamekami. Zamiast tego przełącz urządzenie na bieg jałowy, a następnie wyjmij z otworu. Powtarzając to kilka razy, oczyścisz otwór.

OSTRZEŻENIE:

Kiedy wiertło zaczyna przewiercać beton lub napotyka pręty zbrojeniowe zatopione w betonie, urządzenie może niebezpiecznie reagować. Aby zapobiec niebezpiecznej reakcji, zachowaj dobrą równowagę, stój na pewnej podstawie i trzymaj urządzenie pewnie dwiema rękami.


Ogranicznik momentu obrotowego

Ogranicznik momentu obrotowego zadziała, kiedy osiągnięty zostanie określony poziom tego momentu. Silnik zostanie odłączony od wałka napędowego. Kiedy to nastąpi, końcówka robocza przestanie się obracać.

OSTRZEŻENIE:

Kiedy tylko ogranicznik momentu obrotowego zadziała, natychmiast wyłącz urządzenie. Pozwoli to na uniknięcie przedwczesnego zużycia urządzenia.

Rozbijanie/tuszczenie/burzenie (Rys. 15)

Ustaw dźwignię zmiany w położeniu oznaczonym . Trzymaj pewnie urządzenie dwiema rękoma. Włącz urządzenie i lekko naciśnij, aby nie odskoczyło ono niekontrolowane. Wywieranie bardzo dużego nacisku na urządzenie nie zwiększy wydajności.

Miernik głębokości (Rys. 16)

Miernik głębokości ułatwia wiercenie otworów o jednakowej głębokości. Odkręć śrubę zaciskową i ustaw miernik na żądaną głębokość. Po wyregulowaniu zakręć mocno śrubę zaciskową.

UWAGA:

Miernik głębokości nie może być używany w położeniu, w którym uderza on w obudowę przekładni/silnika.

Lampka wskaźnika (Rys. 17)

Zielona lampka wskaźnika zasilania zapala się, kiedy urządzenie jest włączone. Jeżeli lampka jest zapalona, a urządzenie nie daje się uruchomić, szczoteczki węglowe mogą być zużyte, albo obwód elektryczny lub silnik mogą być uszkodzone. Jeżeli lampka nie zapala się, a urządzenie nie daje się uruchomić, włącznik urządzenia lub przewód zasilania mogą być uszkodzone. Czerwona lampka obsługi zapala się, kiedy szczoteczki węglowe są bliskie zużycia, albo pokazuje, że urządzenie wymaga obsługi. Po około 8 godzinach pracy silnik zostanie automatycznie wyłączony.

KONSERWACJA

OSTRZEŻENIE:

Zawsze upewnij się, że urządzenie jest wyłączone i odłączone od zasilania przed wykonywaniem jakichkolwiek prac nad urządzeniem.

Wymiana szczotczek węglowych (Rys. 18 i 19)

Kiedy tylko szczoteczki węglowe muszą być wymienione, automatycznie wyłączą one urządzenie. Kiedy to nastąpi, odkręć śruby mocujące pokrywę pojemnika na szczoteczki. Zdejmij pokrywę. Następnie wymień jednocześnie obie szczoteczki. Używaj wyłącznie jednakowych szczotczek.

Smarowanie

Urządzenie nie wymaga codziennego ani godzinowego smarowania, ponieważ posiada wypełniony smarem układ smarowania. Smaruj urządzenie przy każdej wymianie szczotczek węglowych.

Uruchom urządzenie na kilka minut, aby je rozgrzać. Wyłącz je i odłącz od zasilania.

Odkręć sześć śrub i zdejmij uchwyt. Zwróć uwagę, że górne śruby różnią się od pozostałych. (Rys. 20)

Odłącz wtyczkę, ciągnąc za nią. (Rys. 21)

Zdejmij pokrywę korby przy pomocy klucza sześciokątnego. (Rys. 22)

Położ urządzenie na stole, skierowane końcem od strony końcówki do góry. Pozwoli to na zebranie się starego smaru wewnątrz obudowy korby. Wytrzyj stary smar i wymień na nowy (60 g). Używaj wyłącznie oryginalnego smaru do młota firmy Makita (wyposażenie dodatkowe). Użycie większej ilości smaru niż zalecana (około 60 g) może doprowadzić do niewłaściwego uderzenia lub uszkodzenia urządzenia. Używaj tylko zalecanej ilości smaru. Załóż z powrotem pokrywę korby i zakręć ją kluczem sześciokątnym. (Rys. 23)

Podłącz wtyczkę i załóż z powrotem uchwyt. (Rys. 24)

OSTRZEŻENIE:

- Uważaj, abyś nie uszkodził wtyczek i przewodów, zwłaszcza podczas wycierania starego smaru i zakładania uchwytu.
- Nie zakręcaj zbyt mocno pokrywy korby. Jest ona zrobiona z tworzywa sztucznego i może pęknąć.

Aby zapewnić bezpieczeństwo i niezawodność produktu, naprawy i konserwacje lub ustawianie powinny być wykonywane przez autoryzowany serwis Makita.

WYPOSAŻENIE

OSTRZEŻENIE:

Niniejsze wyposażenie i nakładki są zalecane dla urządzenia Makita opisanego w instrukcji obsługi. Używanie innego wyposażenia lub nakładek może stwarzać ryzyko obrażeń. Używaj wyposażenia i nakładek wyłącznie do podanych celów.

Jeżeli potrzebujesz pomocy w uzyskaniu dalszych szczegółów dotyczących wyposażenia, zwróć się do lokalnego punktu usługowego Makita.

- Wiertło z wierzchołkiem z węgla wolframu SDS-MAX
- Punktak SDS-MAX
- Przecinak ślusarski SDS-MAX
- Dłuto do czyszczenia powierzchni SDS-MAX
- Przecinak do płytek SDS-MAX
- Szpadel SDS-MAX
- Miernik głębokości
- Uchwyt boczny
- Smar do końcówki roboczej (100 g)
- Smar do młota (30 g)
- Walizka
- Okulary ochronne

Tylko dla krajów europejskich

Szumy i drgania

ENG006-2-V4

Typowy A-ważony poziomy szumów
poziom ciśnienia dźwięku: 92 dB (A).
poziom dźwięku w trakcie pracy: 103 dB (A).
Niepewność pomiaru wynosi 3 dB (A).
– Noś ochraniacze uszu. –

Typowa wartość ważonej średniej kwadratowej przyspieszenia jest 7 m/s^2 .

Wartości niniejsze otrzymano zgodnie z EN60745.

UE-DEKLARACJA ZGODNOŚCI

ENH101-5

Oświadczamy, biorąc za to wyłączną odpowiedzialność, że niniejszy wyrób jest zgodny z następującymi standardami standardowych dokumentów:

EN60745, EN55014, EN61000

zgodnie z Zaleceniami Rady: 89/336/EEC i 98/37/EC.

Yasuhiko Kanzaki **CE 2005**



Dyrektor

MAKITA INTERNATIONAL EUROPE LTD.

Michigan Drive, Tongwell, Milton Keynes,
Bucks MK15 8JD, ENGLAND

Odpowiedzialny producent:
Makita Corporation, Anjo, Aichi, Japonia

1 Смазка для долота	11 Зажимная гайка	21 Отвертка
2 Хвостовик долота	12 Отвинтите	22 Крышка держателя щеток
3 Долото	13 Завинтите	23 Колпачок держателя щеток
4 Крышка зажима	14 Боковой захват	24 Винты
5 Кнопка фиксации	15 Пусковой механизм	25 Соединитель
6 Рычаг переключения	16 Регулировочный переключатель	26 Черный
7 Указатель	17 Зажимной винт	27 Белый
8 Боковая ручка	18 Измеритель глубины	28 Крышка картера
9 Может вращаться на 360° по вертикали и фиксироваться в любом желаемом положении	19 Индикаторная лампа включения питания-ON (зеленая)	29 Торцевой гаечный ключ
10 Фиксируется в восьми различных положениях вперед и назад по горизонтали	20 Индикаторная лампа техобслуживания (красная)	30 Смазка для молотка
		31 К ручке

ТЕХНИЧЕСКИЕ ХАРАКТЕРИСТИКИ

Модель	HR4500C
Функциональные возможности	
Вольфрам-карбидное долото	45 мм
Керновое буровое долото	125 мм
Скорость в незагруженном состоянии (мин ⁻¹)	120 – 240
Ударов в минуту	1250 – 2550
Общая длина	488 мм
Вес нетто	7,8 кг

- Вследствие нашей продолжающейся программы поиска и разработок технические характеристики могут быть изменены без уведомления.
- Примечание: Технические характеристики могут различаться в зависимости от страны.

Источник питания

Инструмент должен быть подсоединен только к источнику питания с напряжением, указанным в таблице номиналов, и может функционировать только от однофазного источника питания переменного тока. В соответствии с Европейским стандартом имеется двойная изоляция, следовательно, возможно использование с розетками без провода заземления.

ИНСТРУКЦИИ ПО МЕРАМ БОБЩИЕ ПРАВИЛА БЕЗОПАСНОСТИ

ВНИМАНИЕ! Прочитайте все инструкции. Несоблюдение какой-либо из приведенных ниже инструкций может привести к поражению электрическим током, пожару и/или серьезной травме. Во всех приведенных ниже предупреждениях термин “электрический инструмент” относится к Вашему электрическому инструменту, работающему от сети (проводному), или электрическому инструменту, работающему от батареи (беспроводному).

СОХРАНИТЕ ЭТУ ИНСТРУКЦИЮ.

Правила безопасности для рабочей области

1. **Поддерживайте в рабочей области чистоту и хорошее освещение.** Захламленные и темные области служат причиной несчастных случаев.

2. **Не используйте электрические инструменты во взрывоопасной атмосфере, например, в присутствии огнеопасных жидкостей, газов или пыли.** Электрические инструменты создают искры, которые могут привести к воспламенению пыли или паров.
3. **При эксплуатации электрического инструмента не подпускайте близко детей и окружающих.** Отвлечение внимания может привести к потере Вами контроля.

Правила электробезопасности

4. **Штепсельные вилки электрического инструмента должны соответствовать розетке. Никогда никаким образом не модифицируйте штепсельную вилку. Не используйте никакие штепселя-переходники с заземленными (замкнутыми на землю) электрическими инструментами.** Немодифицированные штепсельные вилки и соответствующие розетки уменьшат риск поражения электрическим током.
5. **Избегайте контакта тела с замкнутыми на землю или заземленными поверхностями, например, трубами, радиаторами, кухонными плитами и холодильниками.** Риск поражения электрическим током возрастает, если Ваше тело замкнуто на землю или заземлено.
6. **Не подвергайте электрические инструменты воздействию дождя или влаги.** Попадание воды в электрический инструмент увеличит риск поражения электрическим током.
7. **Не нарушайте правила эксплуатации шнура. Никогда не используйте шнур для переноски электрического инструмента, подтягивания или отсоединения его от сети. Держите шнур подальше от тепла, масла, острых углов или движущихся частей.** Поврежденные или запутанные шнуры увеличивают риск поражения электрическим током.
8. **При эксплуатации электрического инструмента на улице, используйте удлинительный шнур, подходящий для наружного использования.** Использование шнура, подходящего для наружного использования, уменьшает риск поражения электрическим током.

Правила личной безопасности

9. Будьте внимательны, смотрите, что Вы делаете, и используйте здравый смысл при эксплуатации электрического инструмента. Не используйте электрический инструмент, когда Вы устали или находитесь под воздействием транквилизаторов, алкоголя или медикаментов. Проявление невнимательности при работе с электрическим инструментом может привести к серьезной травме.
 10. Используйте средства защиты. Всегда применяйте защиту для глаз. Средства защиты, такие как пылезащитная маска, нескользящие защитные ботинки, каска или защита для ушей, используемые в соответствующих условиях, уменьшат риск получения травмы.
 11. Избегайте непреднамеренного запуска. Перед подсоединением к сети убедитесь, что переключатель находится в положении выключено. Переноска электрических инструментов, когда Ваш палец находится на переключателе, или подключение к сети электрических инструментов, у которых переключатель находится в положении включено, служат причиной несчастных случаев.
 12. Перед тем, как включить электрический инструмент, удалите все регулировочные приспособления или гаечные ключи. Гаечный ключ или приспособление, оставленные прикрепленными к вращающимся частям электрического инструмента, могут привести к травме.
 13. Не перенапрягайтесь. Все время сохраняйте надлежащую устойчивость и равновесие. Это обеспечивает лучший контроль над электрическим инструментом в непредвиденных ситуациях.
 14. Одевайтесь надлежащим образом. Не носите свободную одежду или украшения. Держите Ваши волосы, одежду и перчатки подальше от движущихся частей. Провисшая одежда, украшения или длинные волосы могут быть захвачены движущимися частями.
 15. Если поставляются устройства для подсоединения пылесобирающих и пылеулавливающих приспособлений, убедитесь в том, что они подсоединены и правильно используются. Использование этих устройств может уменьшить опасность, связанную с вредным воздействием пыли.
- Использование электрического инструмента и уход за ним**
16. Не прикладывайте силу к электрическому инструменту. Используйте подходящий электрический инструмент для Вашей работы. Подходящий электрический инструмент будет делать работу лучше и безопаснее при скорости, для которой он сконструирован.
 17. Не используйте электрический инструмент, если переключатель не включает или не выключает его. Любой электрический инструмент, который не может управляться с помощью переключателя, является опасным и должен быть отремонтирован.

18. Отсоедините штепсельную вилку от источника питания и/или батарейный блок от электрического инструмента перед выполнением любых регулировок, заменой принадлежностей или хранением электрического инструмента. Такие профилактические меры уменьшают риск непреднамеренного запуска электрического инструмента.
19. Храните неработающий электрический инструмент вне доступа детей, и не позволяйте лицам, не знакомым с электрическим инструментом или этой инструкцией, эксплуатировать электрический инструмент. Электрический инструмент опасен в руках необученных пользователей.
20. Осуществляйте техническое обслуживание электрических инструментов. Проверяйте нарушение центровки движущихся частей или их защемление, повреждение деталей и любые другие условия, которые могут влиять на функционирование электрического инструмента. В случае поломки отремонтируйте электрический инструмент перед использованием. Из-за плохого контроля над электрическим инструментом происходит много несчастных случаев.
21. Сохраняйте режущие инструменты острыми и чистыми. Режущие инструменты, за которыми осуществляется надлежащий уход, имеющие острые режущие кромки, с меньшей вероятностью будут подвергаться защемлению и ими легче управлять.
22. Используйте электрический инструмент, принадлежности, зубила и т.д. в соответствии с этой инструкцией и с помощью метода, предназначенного для конкретного типа электрического инструмента, принимая во внимание рабочие условия и вид выполняемой работы. Использование электрического инструмента для операций, отличающихся от предназначенных операций, может привести к возникновению опасных ситуаций.

Техническое обслуживание

23. Выполняйте техническое обслуживание Вашего электрического инструмента только с помощью квалифицированного специалиста по ремонту, используя только идентичные запасные части. Это обеспечит поддержание безопасности электрического инструмента.
24. Выполняйте инструкции по смазке и замене приспособлений.
25. Сохраняйте рукоятки сухими, чистыми и свободными от масла и смазки.

ОСОБЫЕ ПРАВИЛА БЕЗОПАСНОСТИ

НЕ позволяйте удобству или близкому знакомству с продуктом (полученным в результате частого использования) заменить строгое соблюдение правил безопасности для перфоратора. Если Вы используете этот инструмент небезопасно или неправильно, Вы можете получить серьезную травму.

1. **Используйте средства защиты органов слуха.** Воздействие шума может привести к потере слуха.
2. **Используйте дополнительные ручки,** поставляемые с инструментом. Потеря управления может привести к травме.
3. **Держите электрические инструменты за изолированные части для захвата при выполнении операций в местах, где режущий инструмент может контактировать со скрытой проводкой или с собственным проводом.** Контакт с “работающим” проводом делает “работающими” открытые металлические части инструмента и приведет к поражению оператора электрическим током.
4. **Используйте каску (защитный шлем), защитные очки и/или защитную маску.** Обыкновенные или солнцезащитные очки НЕ являются защитными очками. Также настоятельно рекомендуется, чтобы Вы использовали пылезастыжную маску и перчатки с толстой подкладкой.
5. **Убедитесь перед началом эксплуатации в том, что зубило закреплено на месте.**
6. **При нормальных условиях эксплуатации инструмент предназначен для производства вибрации. Винты могут легко открутиться, что вызовет поломку или аварию. Перед началом эксплуатации тщательно проверьте закрепленность винтов.**
7. **При холодной погоде, или когда инструмент не использовался в течение длительного времени, позвольте инструменту немного разогреться с помощью работы без нагрузки. Это размягчит смазку. Без правильного прогрева эксплуатация с ударным воздействием будет трудной.**
8. **Следует всегда быть уверенным, что Вы имеете устойчивую опору. Убедитесь, что никого нет внизу при использовании инструмента на высоте.**
9. **Крепко удерживайте инструмент обеими руками.**
10. **Держите руки подальше от движущихся частей.**
11. **Не оставляйте инструмент работающим. Эксплуатируйте инструмент только тогда, когда он удерживается руками.**
12. **Во время эксплуатации не направляйте инструмент ни на кого поблизости. Зубило может отлететь и серьезно ранить кого-нибудь.**
13. **Не прикасайтесь к зубилу или частям инструмента около зубила сразу же после эксплуатации; они могут быть очень горячими и обжечь Вашу кожу.**

14. **Некоторые материалы содержат химические вещества, которые могут быть токсичными. Соблюдайте осторожность для предотвращения вдыхания пыли и контакта с кожей. Следуйте данным по безопасности, приведенным поставщиками материалов.**

СОХРАНИТЕ ЭТИ ИНСТРУКЦИИ.

ПРЕДОСТРЕЖЕНИЕ:

НЕПРАВИЛЬНОЕ ИСПОЛЬЗОВАНИЕ или невыполнение правил безопасности, приведенных в этой инструкции по эксплуатации, могут привести к серьезной персональной травме.

ИНСТРУКЦИЯ ПО ЭКСПЛУАТАЦИИ

Установка или удаление долота

ПРЕДУПРЕЖДЕНИЕ:

Перед установкой или удалением долота будьте всегда уверены, что инструмент выключен и отсоединен от сети.

Перед установкой долота очистите хвостовик долота и нанесите поставляемую смазку для долота.

(Рис.1)

Вставьте долото в инструмент. Поверните долото и нажмите на него до тех пор, пока оно не будет задействовано. (Рис. 2)

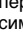
Если нажатие на долото невозможно, удалите долото. Потяните крышку зажима вниз несколько раз. Затем вставьте долото снова. Поверните долото и нажмите на него до тех пор, пока оно не будет задействовано. (Рис. 3)

После установки следует всегда убедиться, что долото надежно держится на месте, попробовав его вытащить.

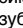
Для удаления долота потяните крышку зажима вниз полностью и вытащите долото. (Рис. 4)

Выбор действующего режима

Вращение с отбоем (Рис. 5 и 6)

Для бурения в бетоне, каменной кладке и т.д. нажмите кнопку фиксации и поверните рычаг переключения так, чтобы указатель указывал на символ . Используйте долото с вольфрам-карбидным наконечником.

Только отбой (Рис. 5 и 7)

Для операций дробления, отслаивания или отбоя нажмите кнопку фиксации и поверните рычаг переключения так, чтобы указатель указывал на символ . Используйте дробящий резец, слесарное зубило, отслаивающее зубило и т.д.

ПРЕДУПРЕЖДЕНИЕ:

- Не поворачивайте рычаг переключения, когда инструмент работает под нагрузкой. Возможно повреждение инструмента.
- Во избежание быстрого износа в механизме переключения режима следует убедиться, что рычаг переключения всегда расположен правильно в одном из двух положений режима действия.

Угол долота (при дроблении, отслаивании или отбое)

ПРЕДУПРЕЖДЕНИЕ:

Перед изменением угла долота будьте всегда уверены, что инструмент выключен и отсоединен от сети.

Возможна фиксация долота под 16 различными углами. Для изменения угла долота нажмите кнопку фиксации и поверните рычаг переключения так, чтобы указатель указывал на символ ○. Поверните долото на желаемый угол. (Рис. 8)

Нажмите кнопку фиксации и поверните рычаг переключения так, чтобы указатель указывал на символ ∩. (Рис. 9)

Затем убедитесь в том, что долото надежно зафиксировано на месте, слегка повернув его.

Боковая ручка (Рис. 10)

ПРЕДУПРЕЖДЕНИЕ:

Используйте боковую ручку только при дроблении, отслаивании или отбое. Не используйте ее при бурении в бетоне, каменной кладке и т.д. Правильное удержание инструмента во время сверления невозможно с помощью этой ручки.

Боковая ручка может вращаться на 360° по вертикали и быть зафиксирована в любом желаемом положении. Она также фиксируется в восьми различных положениях вперед и назад по горизонтали. Просто отвинтите зажимную гайку для поворота боковой ручки в желаемое положение. Затем надежно завинтите зажимную гайку.

Боковой захват (Рис. 11)

ПРЕДУПРЕЖДЕНИЕ:

При бурении в бетоне, каменной кладке и т.д. всегда используйте боковой захват для обеспечения безопасности при эксплуатации.

Боковой захват вращается по кругу в любую сторону, позволяя просто обращаться с инструментом в любом положении. Ослабьте боковой захват путем его поворота против часовой стрелки, поверните его в желаемое положение, а затем закрутите его, повернув по часовой стрелке.

Действия при переключении (Рис. 12)

ПРЕДУПРЕЖДЕНИЕ:

Перед подсоединением инструмента всегда проверяйте, чтобы видеть, что пусковой механизм действует правильно и возвращается в положение "OFF" (выкл.) при высвобождении.

Для запуска инструмента просто нажмите пусковой механизм. Для остановки высвободите пусковой механизм.

Изменение скорости (Рис. 13)

Регулировка оборотов и ударов в минуту возможна с помощью простого поворота регулировочного переключателя. Переключатель промаркирован от 1 (самая низкая скорость) до 6 (полная скорость). Обращайтесь к нижеприведенной таблице относительно соотношения между цифрой установок на регулировочном переключателе и оборотами/ударами в минуту.

Цифра на регулировочном переключателе	оборота в минуту	удара в минуту
6	240	2550
5	230	2450
4	200	2100
3	160	1700
2	130	1300
1	120	1250

Операция отбойного бурения (Рис. 14)

Установите рычаг переключения на символ ∩. Поместите долото в место для отверстия, затем нажмите пусковой механизм. Не прикладывайте усилия к инструменту. Небольшое давление дает наилучшие результаты. Держите инструмент в положении и предотвратите его соскальзывание с отверстия.

Не прикладывайте большее давление, если отверстие засоряется осколками или частицами. Вместо этого поработайте инструментом в режиме холостого хода, затем вытащите его из отверстия. После повторения данной операции несколько раз отверстие прочистится.

ПРЕДУПРЕЖДЕНИЕ:

Когда долото начинается пробиваться через бетон, или когда долото ударяется об арматуру, внедренную в бетон, возможна опасная реакция инструмента. Сохраняйте хорошую балансировку и надежную опору и, в тоже время, крепко удерживайте инструмент обеими руками для предотвращения опасной реакции.


Ограничитель момента

Ограничитель момента будет действовать при достижении определенного уровня момента. Двигатель будет высвобожден из выходного вала. Когда это произойдет, вращение долота остановится.

ПРЕДУПРЕЖДЕНИЕ:

Как только действует ограничитель момента, немедленно выключите инструмент. Это поможет предотвратить преждевременный износ инструмента.

Дробление/Отслаивание/Отбой (Рис. 15)

Установите рычаг переключения на символ . Держите инструмент крепко обеими руками. Включите инструмент и приложите небольшое давление к инструменту так, чтобы инструмент не прыгал вокруг без управления. Сильное нажатие на инструмент не увеличит эффективность.

Измеритель глубины (Рис. 16)

Измеритель глубины является удобным для бурения отверстий одинаковой глубины. Отвинтите зажимной винт и подрегулируйте измеритель глубины на желаемую глубину. После регулировки плотно завинтите зажимной винт.

ПРИМЕЧАНИЕ:

Использование измерителя глубины невозможно в положении, когда измеритель глубины ударяет в корпус привода/двигателя.

Индикаторная лампа (Рис. 17)

Зеленая индикаторная лампа включения питания (ON) высвечивается, когда включен инструмент. Если индикаторная лампа высвечивается, но инструмент не запускается, возможно, что износились угольные щетки, либо неисправны электрическая схема или двигатель. Если индикаторная лампа не высвечивается, и инструмент не запускается, то возможна неисправность переключателя ON/OFF или сетевого шнура.

Красная индикаторная лампа техобслуживания высвечивается, когда почти износились угольные щетки, указывая на необходимость техобслуживания инструмента. После приблиз. 8 часов использования двигатель будет выключен автоматически.

ОБСЛУЖИВАНИЕ

ПРЕДУПРЕЖДЕНИЕ:

Всегда проверяйте, что инструмент выключен и отсоединен перед выполнением любой работы с инструментом.

Замена угольных щеток (Рис. 18 и 19)

Как только необходима замена угольных щеток, они выключают инструмент автоматически. Когда это произойдет, отвинтите винты, которые фиксируют крышку держателя щеток.

Удалите крышку держателя щеток. Затем замените обе угольные щетки одновременно. Используйте только одинаковые угольные щетки.

Смазка

Этот аппарат не требует почасовой или ежедневной смазки, так как он снабжен консистентной системой смазки. Выполняйте смазку инструмента каждый раз, когда заменяете угольные щетки.

Дайте инструменту поработать в течение нескольких минут для его прогрева. Выключите инструмент и отсоедините его от сети питания. Отвинтите шесть винтов и удалите ручку. Заметьте, что верхние винты отличны от других винтов. (Рис. 20)

Отсоедините соединитель, потянув за него. (Рис. 21) Удалите крышку картера, используя торцевой гаечный ключ. (Рис. 22)

Положите инструмент на стол с долотом, обращенным вверх. Это позволит старой смазке собраться внутри полости картера. Протрите внутри старую смазку и замените свежей смазкой (60 г). Используйте только фирменную смазку Makita (дополнительная принадлежность). Заполнение большим, чем заданное, количеством смазки (приблиз. 60 г) может привести к плохому отбою или поломке инструмента. Заполняйте только заданным количеством смазки. Установите на место крышку картера и завинтите ее с помощью торцевого гаечного ключа. (Рис. 23)

Подсоедините соединитель и вновь установите ручку. (Рис. 24)

ПРЕДУПРЕЖДЕНИЕ:

- Будьте осторожны, чтобы не повредить разъемы или проволочные выводы, особенно при протирке старой смазки или установке ручки.
- Не заворачивайте крышку картера слишком сильно. Она сделана из резины и может сломаться.

Для поддержания безопасности и долговечности изделия, ремонт, уход или регулировка должны проводиться в уполномоченном центре по техобслуживанию Makita.

ПРИНАДЛЕЖНОСТИ

ПРЕДУПРЕЖДЕНИЕ:

Эти принадлежности или приспособления рекомендуются для использования с Вашим инструментом Makita, указанным в руководстве. Использование любых других принадлежностей или приспособлений может вызвать риск причинения травмы. Используйте принадлежности или приспособления только для указанных целей.

Если Вам необходима какая-либо помощь относительно дальнейших подробностей об этих принадлежностях, обращайтесь в Ваш местный центр по техобслуживанию Makita.

- Сверло с вольфрам-карбидным наконечником SDS-MAX
- Точечный резец SDS-MAX
- Слесарное зубило SDS-MAX
- Отслаивающее долото SDS-MAX
- Плиточное долото SDS-MAX
- Лопатка для глины SDS-MAX
- Измеритель глубины
- Боковой захват
- Смазка для сверла (100 г)
- Смазка для молотка (30 г)
- Футляр для переноски
- Защитные очки

Только для европейских стран

Шум и вибрация

ENG006-2-V4

Типичные А-взвешенные уровни шума составляют уровень звукового давления 92 дБ (А).
уровень звуковой мощности 103 дБ (А).
Погрешность 3 дБ (А).

– Надевайте защиту для ушей. –

Типичное взвешенное значение квадратного корня ускорения составляет 7 м/с^2 .

Эти значения были получены в соответствии с EN60745.

ЕС ДЕКЛАРАЦИЯ СООТВЕТСТВИЯ

ЕНН101-5

Мы заявляем под свою собственную ответственность, что этот продукт находится в соответствии со следующими стандартами документов по стандартизации:

EN60745, EN55014, EN61000

согласно сборникам директив 89/336/ЕЕС и 98/37/ЕС.

Ясухико Канзаки **СЕ 2005**



Директор

MAKITA INTERNATIONAL EUROPE LTD.

Michigan Drive, Tongwell, Milton Keynes,
Bucks MK15 8JD, ENGLAND

Ответственный производитель:
Корпорация Makita, Анжо, Айчи, Япония

Makita Corporation
Anjo, Aichi, Japan

884367C204