



Makita Werkzeug Ges.m.b.H.

Airportstr. 4, 2401 Fischamend

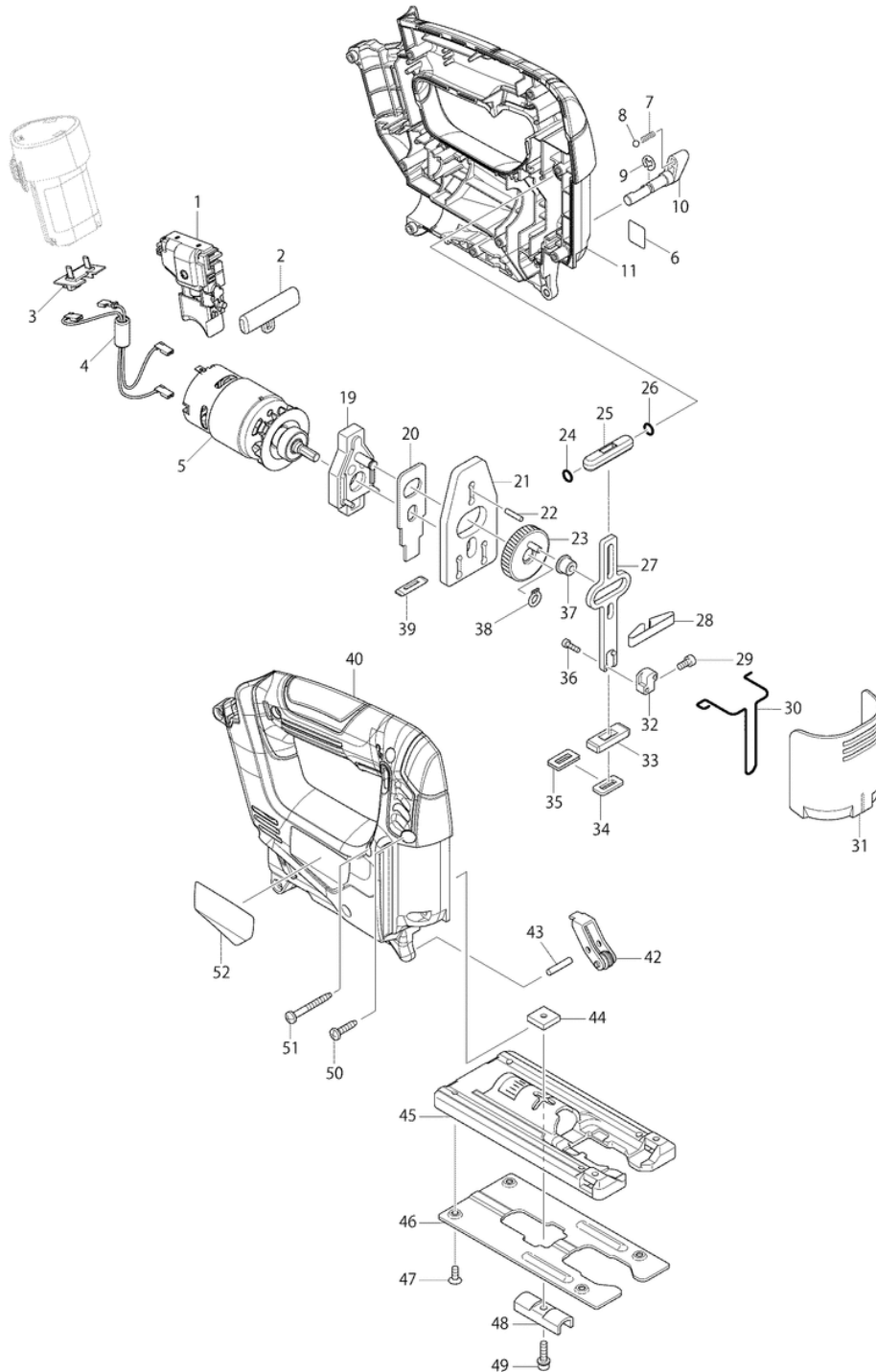
Tel: 02232 / 777 00

Fax: 02232 / 777 00 - 40

Mail: verkauf@makita.at

Web: www.makita.at

Makita Service Information / Model: JV100D





Makita Werkzeug Ges.m.b.H.

Airportstr. 4, 2401 Fischamend

Tel: 02232 / 777 00

Fax: 02232 / 777 00 - 40

Mail: verkauf@makita.at

Web: www.makita.at

Makita Service Information / Model: JV100D

| POS | Bestell-Nr. | Artikelbeschreibung | Stk. | Stk.Preis |
|-----|-------------|------------------------------|------|-----------|
| 1 | 650679-3 | SWITCH C3HW-3A-M | 1 | N/A |
| 2 | 417880-1 | F/R PACKA | 1 | N/A |
| 3 | 643830-2 | KONTAKT DF030/TD090 | 1 | N/A |
| 4 | 638976-7 | NOISE LINE FILTER UNIT | 1 | N/A |
| 5 | 629926-3 | DC MOTOR | 1 | N/A |
| 7 | 233151-6 | PRUŽINA PRÍTLAČNÁ 4 233151-6 | 1 | N/A |
| 8 | 216008-6 | GULKA OCEĽOVÁ 4 | 1 | N/A |
| 9 | 961011-9 | POISTNY KRUZOK E-4 | 1 | N/A |
| 10 | 272267-2 | Lever 19 | 1 | N/A |
| 11 | 187216-5 | Motor housing set | 1 | N/A |
| 11 | 187217-3 | HOUSING SET | 1 | N/A |
| 11 | | *** INC. 40 | | N/A |
| 11 | | *** INC. 40 | | N/A |
| 19 | 152600-3 | PUZDRO LOŽISKA KPL. 4324 | 1 | N/A |
| 20 | 344683-9 | EXCENTR.PLATNIČKA 4324 | 1 | N/A |
| 21 | 344614-8 | VYKYVNÁ DOSKA 4322/4323/4324 | 1 | N/A |
| 22 | 256254-9 | KOLÍK 3 6830/4322/4323/4324 | 1 | N/A |
| 23 | 153260-4 | OZUBENÉ KOLESO 4324 | 1 | N/A |
| 24 | 213038-8 | O-KRÚŽOK 5 4322/4323/4324 | 1 | N/A |
| 25 | 313082-6 | DOSKA KLZNÁ 4322 | 1 | N/A |
| 26 | 213038-8 | O-KRÚŽOK 5 4322/4323/4324 | 1 | N/A |
| 27 | 344613-0 | TIAHLO EXCENTRA | 1 | N/A |
| 28 | 232183-0 | PERO LISTOVÉ 4324 | 1 | N/A |
| 29 | 922107-1 | IMBUSOVA SKRUTKA M4x8 | 1 | N/A |
| 30 | 323748-0 | KRYT OCHRANNÝ 4322/4323/4324 | 1 | N/A |
| 31 | 416476-5 | KRYT OCHRANNÝ 4322/4323/4324 | 1 | N/A |
| 32 | 313140-8 | DRŽIAK NOŽA 4326-29 | 1 | N/A |
| 33 | 313086-8 | DOSKA KLZNÁ | 1 | N/A |
| 34 | 423307-1 | TESNENIE 4322 | 1 | N/A |
| 35 | 344686-3 | PLATNIČKA TESNIACA 4324 | 1 | N/A |
| 36 | 266177-3 | SKRUTKA IMBUSOVÁ M3x10 | 2 | N/A |
| 37 | 257683-9 | PÚZDRO 4322/4323/4324 | 1 | N/A |
| 38 | 961002-0 | POISTNY KRUZOK S-6 | 1 | N/A |
| 39 | 416703-0 | PLATNIČKA 4324 | 1 | N/A |
| 40 | 187216-5 | Motor housing set | 1 | N/A |
| 40 | 187217-3 | HOUSING SET | 1 | N/A |
| 40 | | *** INC. 11 | | N/A |
| 40 | | *** INC. 11 | | N/A |
| 42 | 158392-2 | VODIACA KLADKA 4328/4329 | 1 | N/A |
| 43 | 256117-9 | KOLÍK 4 4324/4340CT-4341FCT | 1 | N/A |



Makita Werkzeug Ges.m.b.H.

Airportstr. 4, 2401 Fischamend

Tel: 02232 / 777 00

Fax: 02232 / 777 00 - 40

Mail: verkauf@makita.at

Web: www.makita.at

Makita Service Information / Model: JV100D

| POS | Bestell-Nr. | Artikelbeschreibung | Stk. | Stk.Preis |
|--------|-------------|--------------------------------|------|-----------|
| 44 | 343540-8 | DRZIAK 4320/4322/4323/4324 | 1 | N/A |
| 45 | 317796-9 | DOSKA ZÁKL. | 1 | N/A |
| 46 | 345441-6 | DOSKA ZÁKLADNÁ 4329 | 1 | N/A |
| 47 | 912107-9 | SKRUTKA SO ZAP.HLAVOU M4x82615 | 4 | N/A |
| 48 | 344685-5 | PLATNIČKA UPÍNACIA 4324 | 1 | N/A |
| 49 | 922128-3 | IMBUSOVA SKRUTKA M4x16 neu | 1 | N/A |
| 50 | 266326-2 | SKRUTKA SAMOREZNÁ | 9 | N/A |
| 51 | 266351-3 | SKRUTKA 4x35 | 1 | N/A |
| 52 | 896564-8 | JV100D NAME PLATE | 1 | N/A |
| 1001 | A-85628 | JIGSAW BLADE NO.B10 | 1 | N/A |
| 1002 | 783201-2 | HEX. WRENCH 3 | 1 | N/A |
| 1003 | 192732-4 | GUIDE RULE SET | 1 | N/A |
| 1004 | ***DC10WA | DC10WA BATTERY CHARGER | 1 | N/A |
| 1005 | 194550-6 | BATTERY BL1013 SET | 2 | N/A |
| 1006 | | | | N/A |
| 1006 | 821508-9 | PLASTIC CARRYING CASE | 1 | N/A |
| 1006 | 821549-5 | CONNECTOR PLASTIC CASE (TYPE1) | 1 | N/A |
| 1006.2 | 821549-5 | CONNECTOR PLASTIC CASE (TYPE1) | 1 | N/A |
| 1007 | 890653-1 | JV100DWE PLASTIC CASE LABEL | 2 | N/A |
| 1007 | 837665-3 | INNER TRAY | 1 | N/A |
| 1008 | 800X50-7 | JV100DWJ INDICATION LABEL | 1 | N/A |
| 1008 | 803L38-4 | JV100DZJ INDICATION LABEL | 1 | N/A |
| 1009 | 800X51-5 | JV100DWJ PLASTIC CASE LABEL | 2 | N/A |
| 1009 | 803L39-2 | JV100DZJ PLASTIC CASE LABEL | 2 | N/A |