



Makita Werkzeug Ges.m.b.H.

Airportstr. 4, 2401 Fischamend

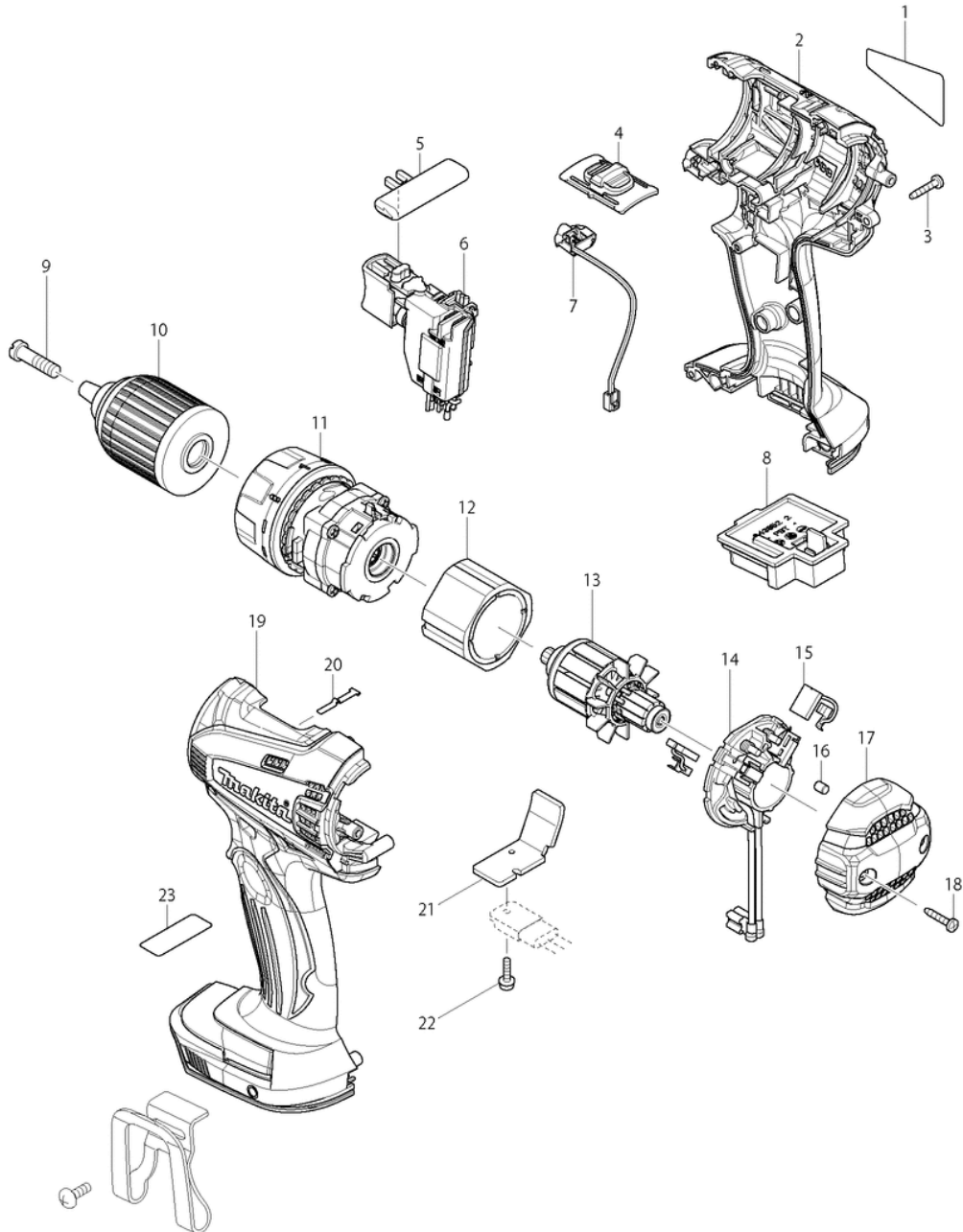
Tel: 02232 / 777 00

Fax: 02232 / 777 00 - 40

Mail: verkauf@makita.at

Web: www.makita.at

Makita Service Information / Model: DDF456





Makita Werkzeug Ges.m.b.H.

Airportstr. 4, 2401 Fischamend

Tel: 02232 / 777 00

Fax: 02232 / 777 00 - 40

Mail: verkauf@makita.at

Web: www.makita.at

Makita Service Information / Model: DDF456

POS	Bestell-Nr.	Artikelbeschreibung	Stk.	Stk.Preis
1	815C16-8	DDF456 NAME PLATE	1	N/A
2	188932-2	KRYT PREVODOVKY R+L BDF456	1	N/A
2		*** INC. 19		N/A
3	266429-2	SKRUTKA 3X16MM	9	N/A
4	126289-3	SPEED CHANGE LEVER ASSEMBLY	1	N/A
5	419250-0	PREPÍNAČ BDF/BHP	1	N/A
6	650637-9	VYPÍNAČ BDF456/BHP456	1	N/A
6.2	650731-7	SCHALTER BDF456/BHP456	1	N/A
7	620012-3	Led Circuit	1	N/A
7.2	620388-8	LICHTEINHEIT DDF446/456	1	N/A
8	643852-2	TERMINAL	1	N/A
9	251468-5	SKRUTKA M6x22 6261D	1	N/A
10	763175-3	KEYLESS DRILL CHUCK 13	1	N/A
10.2	766027-7	KEYLESS DRILL CHUCK 13	1	N/A
11	125831-7	PREVODOVKA KPL. BDF456	1	N/A
11.2	126459-4	Getriebe kpl. BDF456	1	N/A
12	638425-4	STATOR BDF/BHP	1	N/A
13	619263-3	KOTVA ÚPLNÁ BDF456/BHP456	1	N/A
14	638845-2	BRUSH HOLDER COMPLETE	1	N/A
15	194427-5	UHLÍKY CB-440	1	N/A
16	263032-0	KOLÍK GUMENÝ	2	N/A
17	452205-2	REAR COVER	1	N/A
18	266429-2	SKRUTKA 3X16MM	2	N/A
19	188932-2	KRYT PREVODOVKY R+L BDF456	1	N/A
19		*** INC. 2		N/A
20	232182-2	PERO LISTOVÉ	1	N/A
21	689170-4	HEAT SINK	1	N/A
22	911013-5	PAN HEAD SCREW M3x10	1	N/A
1001	251314-2	SKRUTKA M4x12 LS0810/1013	1	N/A
1002	346317-0	HOOK	1	N/A
1002	346449-3	HOOK	1	N/A
1003	784637-8	+ - BIT 2-45	1	N/A
1004	141856-3	PLASTIC CARRYING CASE COMPLETE	1	N/A
1004	821550-0	CONNECTOR PLASTIC CASE (TYPE2)	1	N/A
1005	450128-8	BATTERY COVER	1	N/A
1005	450128-8	BATTERY COVER	2	N/A
1005	837916-4	KOFFEREINSATZ BDF446RFJ-BDF459	1	N/A
1006	***DC18RC	DC18RC FAST CHARGER	1	N/A
1006	802P27-0	DDF456ZJ INDICATION LABEL	1	N/A
1007				N/A



Makita Werkzeug Ges.m.b.H.

Airportstr. 4, 2401 Fischamend

Tel: 02232 / 777 00

Fax: 02232 / 777 00 - 40

Mail: verkauf@makita.at

Web: www.makita.at

Makita Service Information / Model: DDF456

POS	Bestell-Nr.	Artikelbeschreibung	Stk.	Stk.Preis
1007				N/A
1007				N/A
1007	194513-2	BATTERY BL1815 SET	2	N/A
1007	802P51-3	DDF456ZJ PLASTIC CASE LABEL	2	N/A
1007	196460-3	BATTERY BL1820 SET	2	N/A
1007	194204-5	BATTERY BL1830 SET	2	N/A
1007.2	196399-0	AKKU-MAGAZIN BL1840 18V 4,0Ah	2	N/A
1007.2	196235-0	AKKU-MAGAZIN BL1815N 1,5Ah VP	2	N/A
1007.2	194204-5	BATTERY BL1830 SET	2	N/A
1007.2	194204-5	BATTERY BL1830 SET	3	N/A
1008	837916-4	KOFFEREINSATZ BDF446RFJ-BDF459	1	N/A
1008	802P46-6	DDF456RFE3 PLASTIC CASE LABEL	2	N/A
1008	837863-9	KOFFEREINSATZ DDF480	1	N/A
1008	802P53-9	DDF456RYE PLASTIC CASE LABEL	2	N/A
1008	802P52-1	DDF456RAE PLASTIC CASE LABEL	2	N/A
1008	802P32-7	DDF456RME PLASTIC CASE LABEL	2	N/A
1008	802P28-8	DDF456RHE PLASTIC CASE LABEL	2	N/A
1008	802P38-5	DDF456RFE PLASTIC CASE LABEL	2	N/A
1009	802P19-9	DDF456RFJ INDICATION LABEL	1	N/A
1009	802P23-8	DDF456RHJ INDICATION LABEL	1	N/A
1009	802P78-3	DDF456RMJ INDICATION LABEL	1	N/A
1009	802P20-4	DDF456RF3J INDICATION LABEL	1	N/A
1009	803G15-6	DDF456RYJ INDICATION LABEL	1	N/A
1010	802P49-0	DDF456RFJ PLASTIC CASE LABEL	2	N/A
1010	802P50-5	DDF456RHJ PLASTIC CASE LABEL	2	N/A
1010	802P79-1	DDF456RMJ PLASTIC CASE LABEL	2	N/A
1010	802P48-2	DDF456RF3J PLASTIC CASE LABEL	2	N/A
1010	803G16-4	DDF456RYJ PLASTIC CASE LABEL	2	N/A